

TYPE N INNER DC BLOCK .01-3GHZ

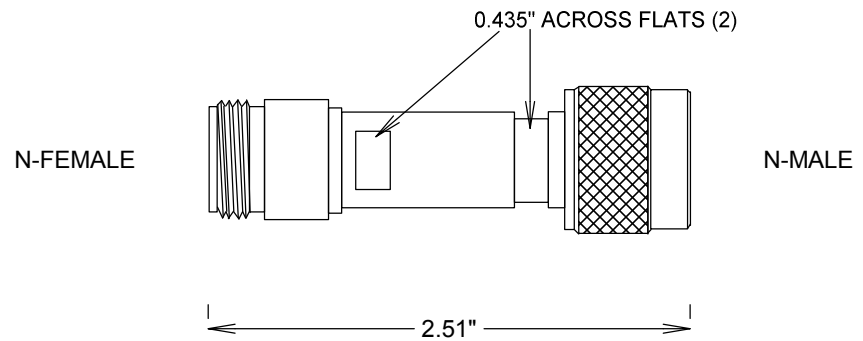
SD3065

SPECIFICATIONS

ELECTRICAL:
FREQUENCY: 10MHZ-3 GHZ
VSWR : 1.25 MAX
INSERTION LOSS: 0.35DB MAX
VOLTAGE RATING: 200 VOLTS
IMPEDANCE: 50 OHMS

MECHANICAL:
MATERIAL BODY: PASSIVATED S STEEL
CONTACTS: GOLD PLATED

ENVIRONMENTAL:
TEMP: -55 C TO +125 C



FAIRVIEW MICROWAVE INC.

ALLEN, TX 75013 WWW.FAIRVIEWMICROWAVE.COM

TITLE

TYPE N INNER DC BLOCK .01-3GHZ

SIZE	CAGE CODE	DWG NO	REV
A	3FKR5	SD3065	
SCALE	SHEET		