

TYPE N INNER DC BLOCK .01-6GHZ

SD3076

SPECIFICATIONS

ELECTRICAL:

FREQUENCY: 10MHZ-6 GHZ
 IMPEDANCE: 50 OHMS
 VSWR : 1.35 MAX
 INSERTION LOSS: 0.5DB MAX
 VOLTAGE RATING: 50 VOLTS
 IMPEDANCE: 50 OHMS

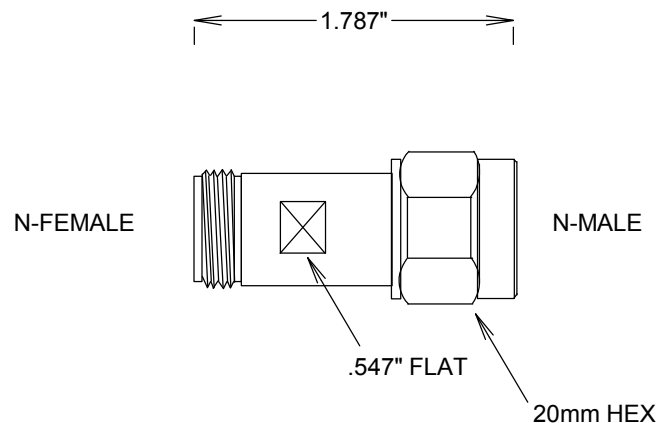
MECHANICAL:

MATERIAL BODY: TRIMETAL PLATED BRASS
 MATERIAL RING & CONTACTS: BeCu
 CENTER CONTACT: Au PLATED MIL-G-45204
 INSULATOR: TEFLON
 INTERFACE: MIL-STD-348A

ENVIRONMENTAL:

TEMP: -55 C TO +120°C

ROHS COMPLIANT



				FAIRVIEW MICROWAVE INC.	
				ALLEN, TX 75013 WWW.FAIRVIEWMICROWAVE.COM	
				TITLE	
				TYPE N INNER DC BLOCK .01-6GHZ	
SIZE	CAGE CODE	DWG NO	REV		
A	3FKR5	SD3076			
SCALE			SHEET		