

TYPE N INNER/OUTER DC BLOCK .01-18GHZ

SD3082

SPECIFICATIONS

ELECTRICAL:

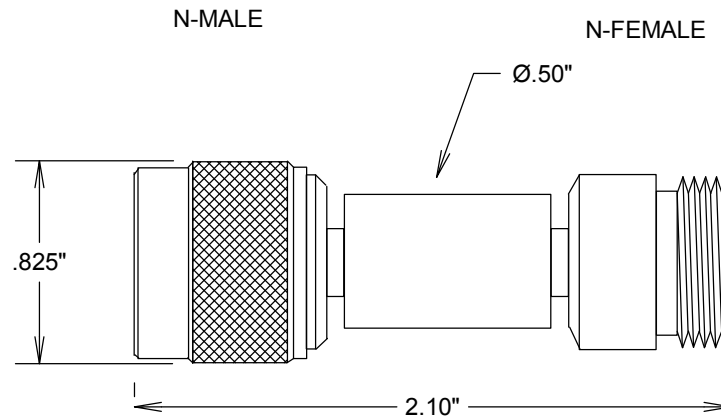
FREQUENCY: 10MHZ-18 GHZ
 VSWR : 1.35 MAX
 INSERTION LOSS: 0.6 DB MAX
 VOLTAGE RATING: 200 VOLTS
 IMPEDANCE: 50 OHMS

MECHANICAL:

MATERIAL BODY: PASSIVATED S STEEL
 MATERIAL RING & CONTACTS: BeCu
 CENTER CONTACT: GOLD PLATED

ENVIRONMENTAL:

TEMP: -65 C TO +125 C



				FAIRVIEW MICROWAVE INC.	
				ALLEN, TX 75013 WWW.FAIRVIEWMICROWAVE.COM	
				TITLE	
				TYPE N INNER/OUTER DC BLOCK .01-18GHZ	
		SIZE	CAGE CODE	DWG NO	REV
		A	3FKR5	SD3082	
				SCALE	SHEET