

# SMA INNER DC BLOCK 5KHZ-23GHZ LOW EMI

SD3239

## SPECIFICATIONS

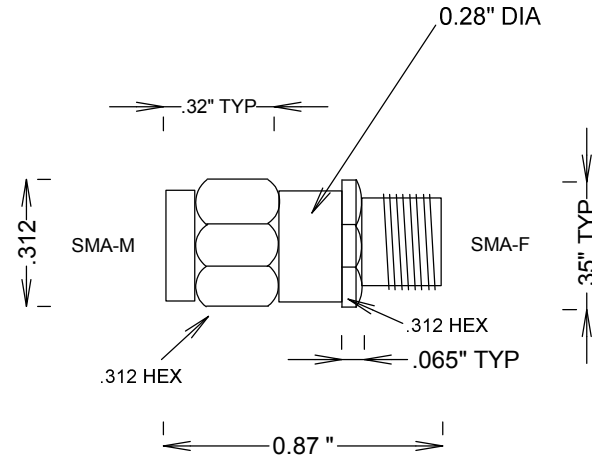
**ELECTRICAL:**

FREQUENCY: 5KHZ-23GHZ  
 INSERTION LOSS: 0.5 DB MAX@12.4ghz. .65@ 23ghz  
 BREAKDOWN VOLTAGE: 100 VOLTS  
 VSWR: 1.3:1 MAX

MATERIALS, BODY: PASSIVATED S STEEL  
 PLATING, CONTACTS: GOLD

OP TEMPERATURE: -40 TO +115 DEG C

NOTE: MECHANICAL CAPTIVATION



CENTER PIN HAS DC BLOCKING CAP

NOTE: MECHANICAL CAPTIVATION  
 NO EPOXY CAPTIVATION HOLE  
 INTERNAL EMI SUPPRESSION

				<b>FAIRVIEW MICROWAVE INC.</b>	
				ALLEN, TX 75013 <a href="http://WWW.FAIRVIEWMICROWAVE.COM">WWW.FAIRVIEWMICROWAVE.COM</a>	
				TITLE	
				SMA INNER DC BLOCK 5KHZ-23GHZ LOW EMI	
SIZE	CAGE CODE	DWG NO			
<b>A</b>	<b>3FKR5</b>	<b>SD3239</b>			
SCALE				SHEET	