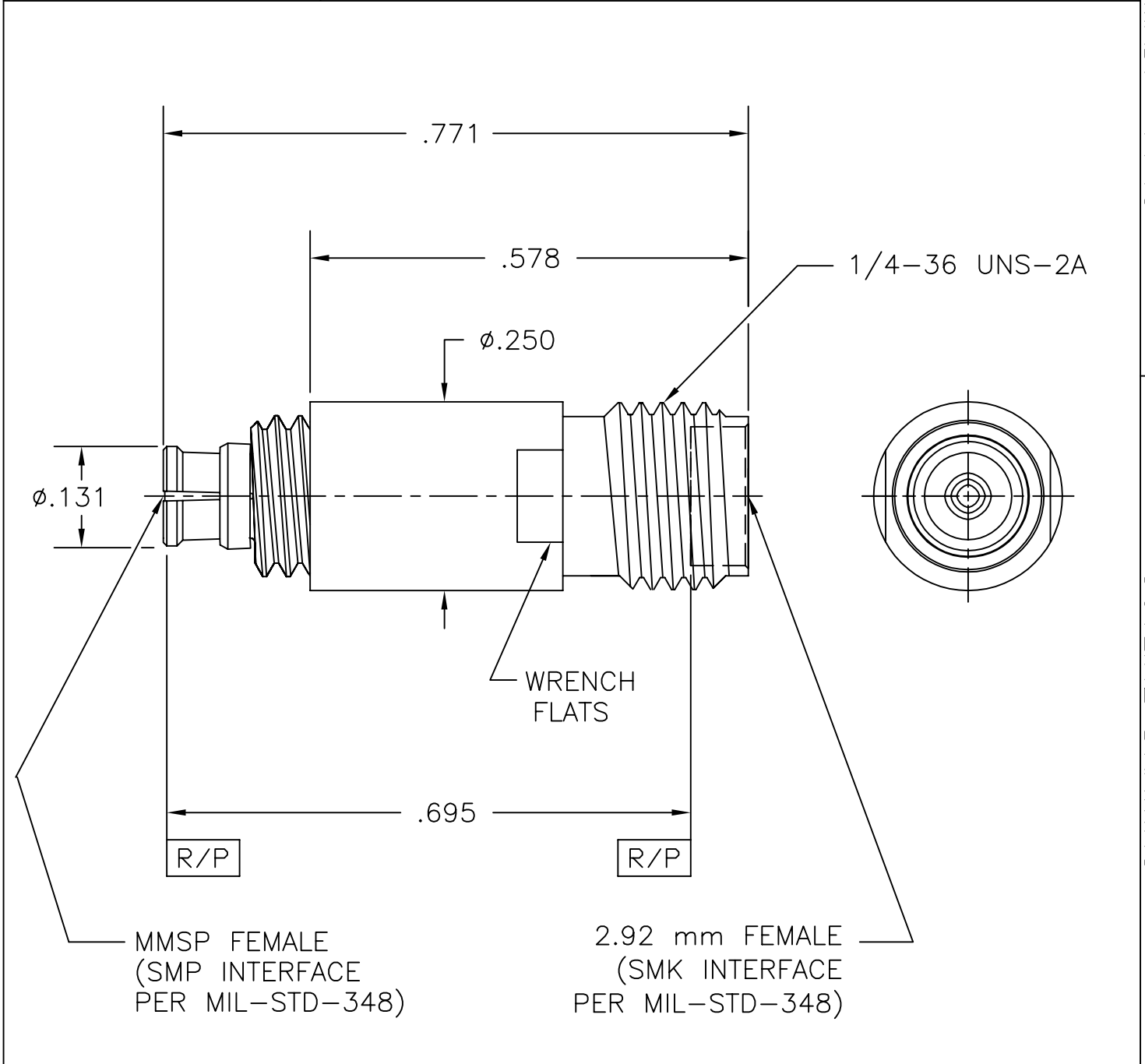



COMPONENT	MATERIAL AND FINISH	
2.92mm BODY, CONTACT, INSERT, MMSP BODY & ANTI-ROCK RING	BeCu, ASTM B196, UNS C17300	GOLD PLATE, MIL-G-45204, TYPE 1, GRADE C, CLASS 1
INSULATORS	PTFE, ASTM D1710, TYPE I, GRADE 1, CLASS A	

PART NO. MADP-7743

OUTLINE DRAWING



 MICRO-MODE PRODUCTS, INC. <i>The Reliable Connection to the Future</i>	El Cajon, CA 92020 ph 619.449.3844 www.micromode.com	CAGE CODE 15907
	ASSY PROCEDURES: N/A INSERTION/EXTRACTION TOOL: N/A	
MMSP FEMALE TO 2.92mm FEMALE ADAPTER		PART NO. MADP-7743
SHEET 1 OF 1 OL7743 12-8-04 DR MD		REVISION —