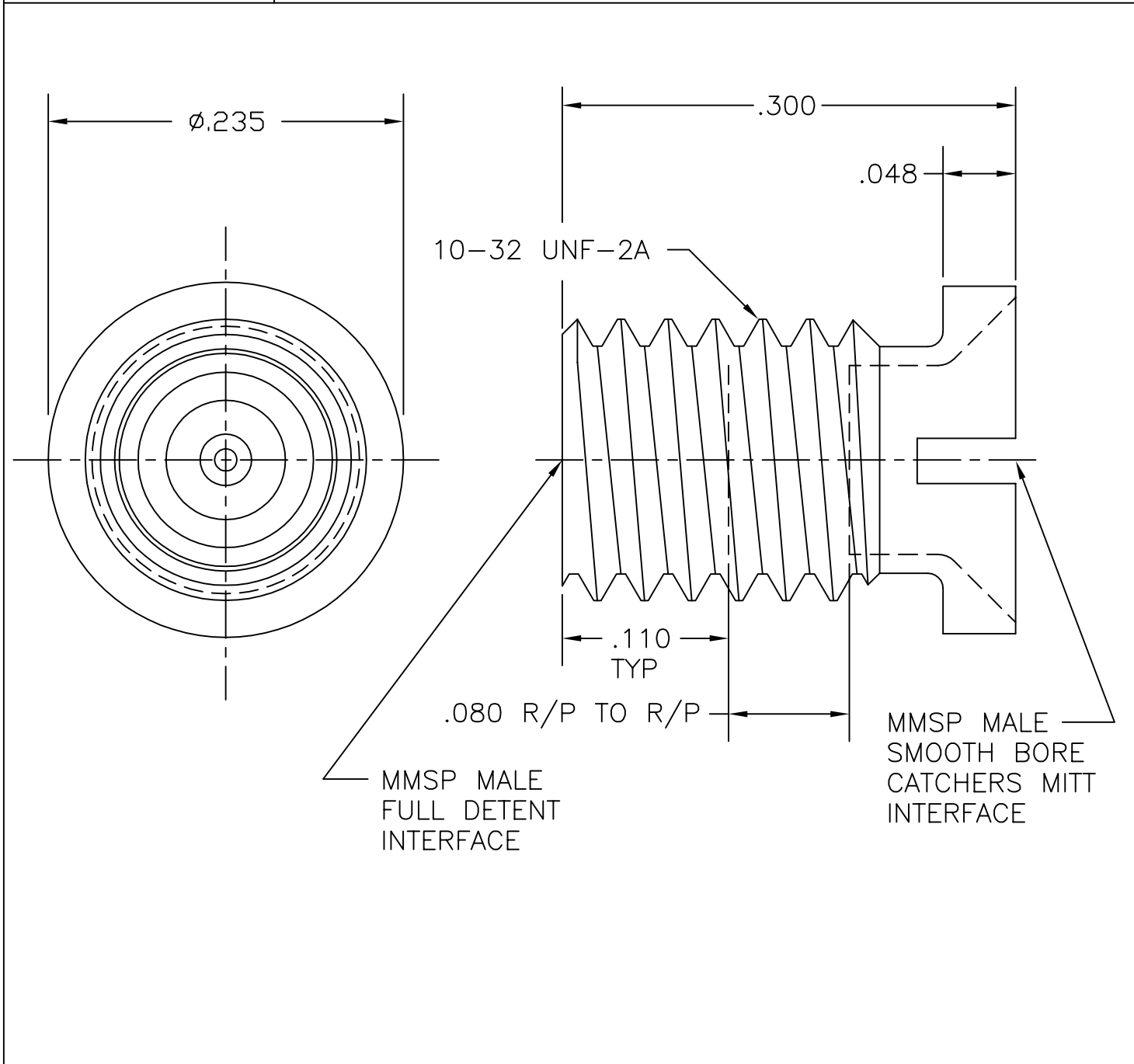



COMPONENT	MATERIAL AND FINISH	
BODY, BUSHING	303 CRES, ASTM A582	PASSIVATE, AMS-QQ-P-35
INSULATORS	PTFE, ASTM D1710, TYPE 1, GRADE 1, CLASS A	
CONTACT	BeCu, ASTM B196 UNS C17300	GOLD PLATE, MIL-G-45204, TYPE 1, GRADE C, CLASS 1



PART NO. MMSP-4956

OUTLINE DRAWING

 MICRO-MODE PRODUCTS, INC. <i>The Reliable Connection to the Future</i>	El Cajon, CA 92020 ph 619.449.3844 www.micromode.com	CAGE CODE 15907
	ASSY PROCEDURE: N/A LOCATOR TOOL: MMTL-2685	
MMSP (M) FULL DETENT TO MMSP (M) SMOOTH BORE CATCHERS MITT ADAPTER		REVISION A
SHEET 1 OF 1 OL4956 2-12-02 RF EB		PART NO. MMSP-4956