

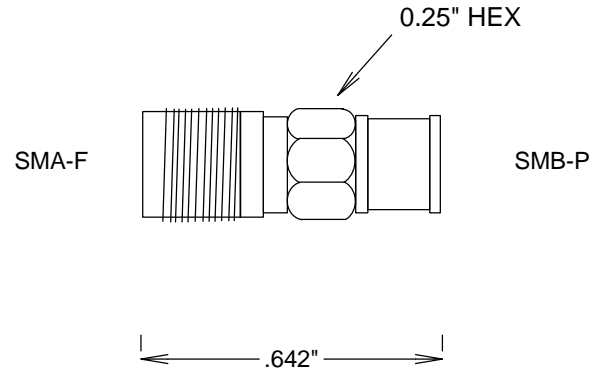
SPECIFICATIONS

ELECTRICAL

FREQUENCY: 0-4 GHZ
 IMPEDANCE: 50 OHMS
 VSWR: 1.2:1 MAX @ 4GHZ

MECHANICAL

MATERIAL BODY: NICKEL PLATED BRASS
 CONTACTS: BeCu
 CONTACT PLATING: Au 30μ"
 ROHS COMPLIANT



				S. M. ELECTRONICS L.L.C.	
				FAIRVIEW, TX 75069 WWW.SMELECTRONICS.US	
				TITLE	
				SMB/PLUG-SMA/FEMALE ADAPTER	
SIZE		CAGE CODE	DWG NO		REV
A		3FKR5	SM2057		--
SCALE			SHEET		