

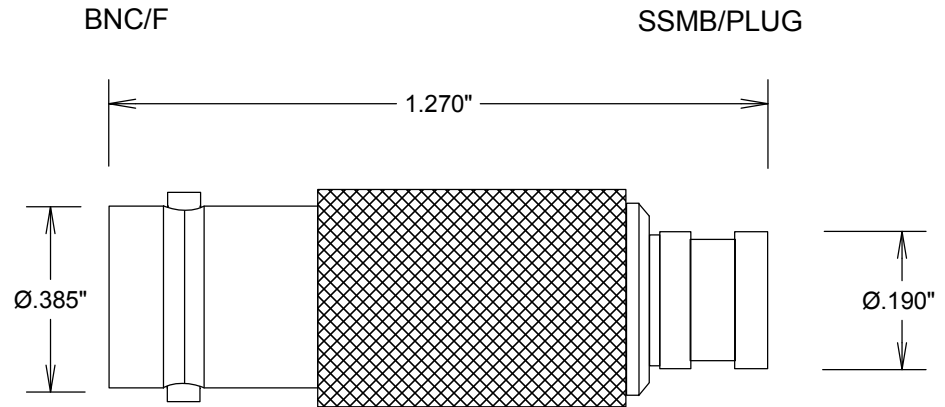
SPECIFICATIONS

ELECTRICAL

FREQUENCY: 0-12 GHZ
 IMPEDENCE: 50 OHMS
 VSWR: 1.2:1 MAX

MECHANICAL

MATERIAL BODY: NICKEL PLATED BRASS
 CONTACTS: Au PLATED PER MIL-G-45204
 INTERFACE: MIL-STD-348A
 TEMPERATURE RATING: -55° +110°C
 ROHS COMPLIANT



<h2 style="margin: 0;">FAIRVIEW MICROWAVE</h2> <p style="margin: 0;">ALLEN, TX 75013 WWW.FAIRVIEWMICROWAVE.COM</p>			
TITLE			
<h3 style="margin: 0;">BNC/F-SSMB/PLUG 12 GHZ</h3>			
SIZE	CAGE CODE	DWG NO	REV
A	3FKR5	SM2081	-
SCALE		SHEET	