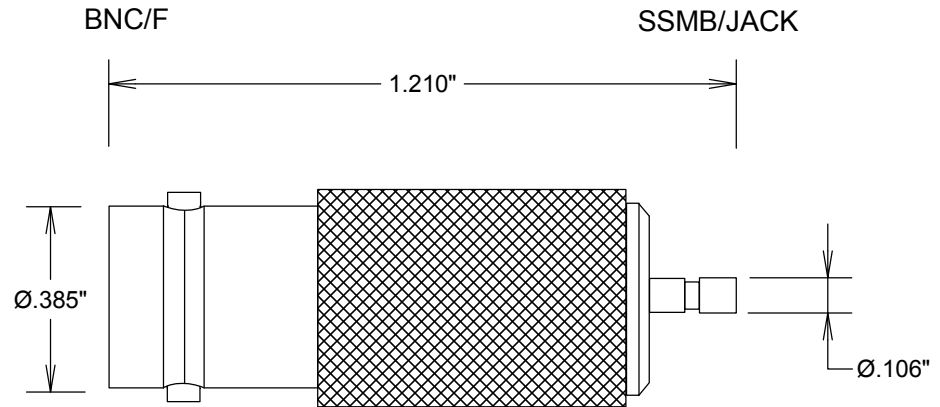


SPECIFICATIONS

ELECTRICAL
 FREQUENCY: 0-12 GHZ
 IMPEDENCE: 50 OHMS
 VSWR: 1.2:1 MAX

MECHANICAL
 MATERIAL BODY: NICKEL PLATED BRASS
 CONTACTS: Au PLATED PER MIL-G-45204
 INTERFACE: MIL-STD-348A
 TEMPERATURE RATING: -55° +110°C
 ROHS COMPLIANT



FAIRVIEW MICROWAVE

ALLEN, TX 75013 WWW.FAIRVIEWMICROWAVE.COM

TITLE

BNC/F-SSMB/JACK 12 GHZ

SIZE	CAGE CODE	DWG NO	REV
A	3FKR5	SM2083	-
SCALE		SHEET	