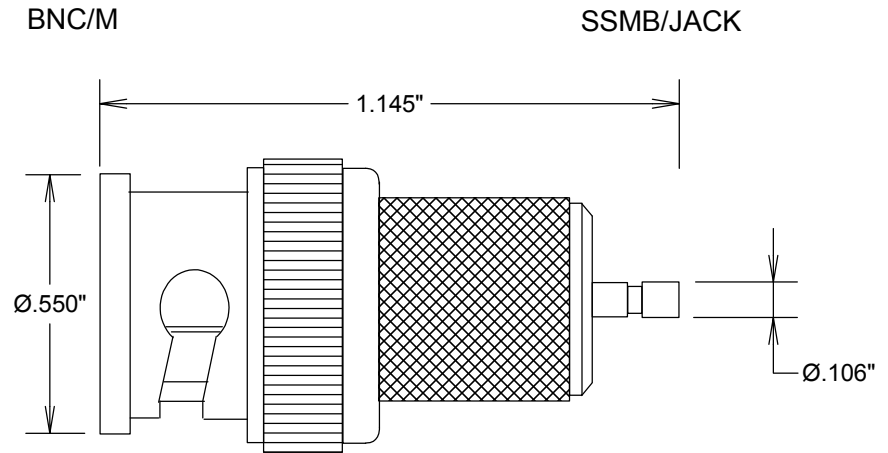


# SPECIFICATIONS

**ELECTRICAL**  
 FREQUENCY: 0-12 GHZ  
 IMPEDENCE: 50 OHMS  
 VSWR: 1.2:1 MAX

**MECHANICAL**  
 MATERIAL BODY: NICKEL PLATED BRASS  
 CONTACTS: Au PLATED PER MIL-G-45204  
 INTERFACE: MIL-STD-348A  
 TEMPERATURE RATING: -55° +110°C  
 ROHS COMPLIANT



				<b>FAIRVIEW MICROWAVE</b>	
				ALLEN, TX 75013 <a href="http://WWW.FAIRVIEWMICROWAVE.COM">WWW.FAIRVIEWMICROWAVE.COM</a>	
				TITLE	
				<b>BNC/M-SSMB/JACK 12 GHZ</b>	
SIZE		CAGE CODE	DWG NO		REV
<b>A</b>		3FKR5	<b>SM2084</b>		-
SCALE				SHEET	