

SPECIFICATIONS

ELECTRICAL

FREQUENCY: 0-18 GHZ
 IMPEDANCE: 50 OHMS
 VSWR: 1.15:1 MAX @ 18 GHZ
 VRMS: 500 V SEA LEVEL

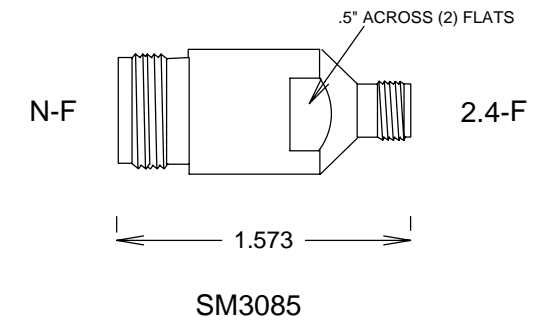
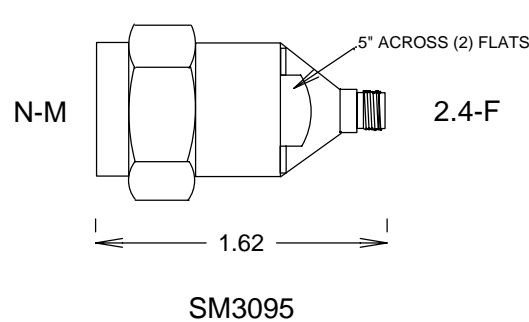
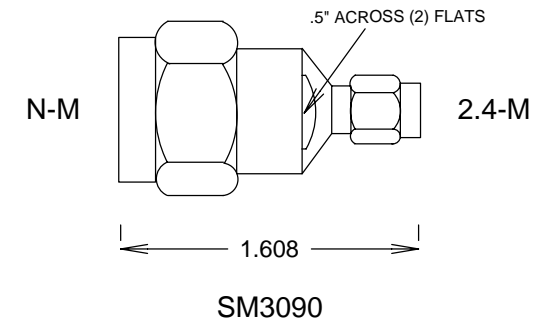
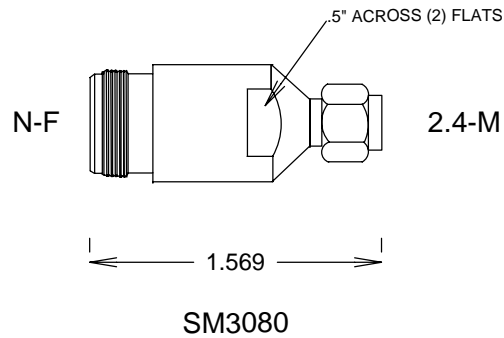
MECHANICAL

MATERIALS BODY: PASSIVATED S STEEL
 MATERIALS CONTACTS: AU PLATING

DURABILITY: 500 CYCLES MIN

ENVIRONMENTAL

-65 TO +165 DEG C
 CORROSION MIL-STD-202
 VIBRATION MIL-STD-202
 SHOCK MIL-STD-202



S. M. ELECTRONICS

FAIRVIEW, TX WWW.SMELECTRONICS.US

TITLE

2.4mm-N ADAPTERS S STEEL 18GHZ

SIZE	CAGE CODE	DWG NO	REV
A	3FKR5	SM3080, SM3085, SM3090, SM3095	A

SCALE	SHEET
-------	-------