

# SPECIFICATIONS

## ELECTRICAL

FREQUENCY: 0-18 GHZ  
 IMPEDANCE: 50 OHMS  
 VSWR: 1.15:1 MAX @ 18 GHZ  
 VRMS: 500 V SEA LEVEL

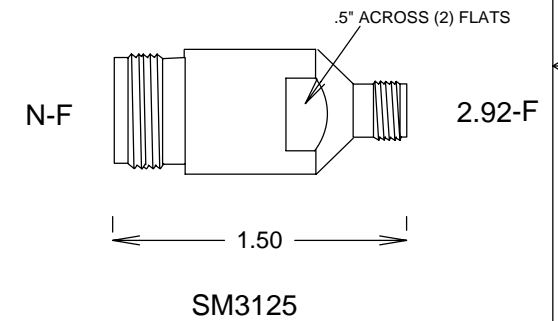
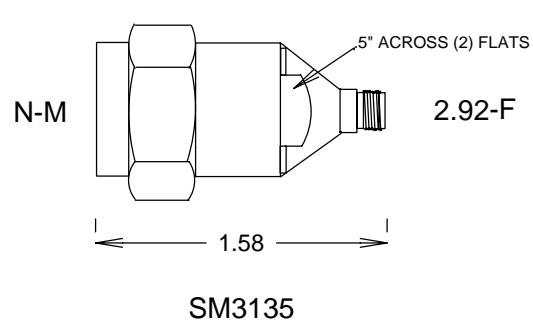
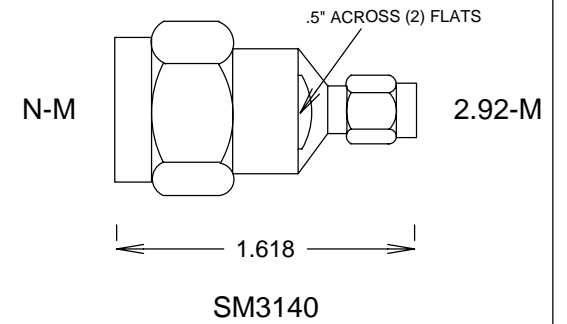
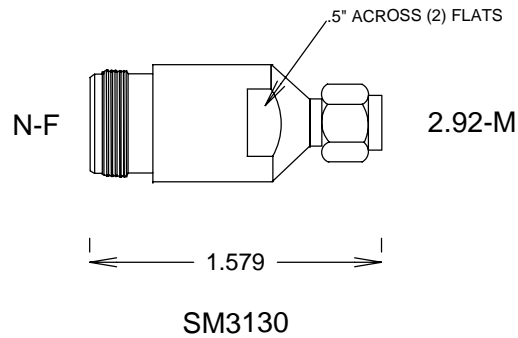
## MECHANICAL

MATERIALS BODY: PASSIVATED S STEEL  
 MATERIALS CONTACTS: AU PLATING

DURABILITY: 500 CYCLES MIN

## ENVIRONMENTAL

-65 TO +165 DEG C  
 CORROSION MIL-STD-202  
 VIBRATION MIL-STD-202  
 SHOCK MIL-STD-202



**S. M. ELECTRONICS**

FAIRVIEW, TX WWW.SMELECTRONICS.US

TITLE

**2.92mm-N ADAPTERS S STEEL 18GHZ**

SIZE	CAGE CODE	DWG NO	REV
<b>A</b>	3FKR5	SM3125, SM3130, SM3135, SM3140	--

SCALE

SHEET