

# SPECIFICATIONS

## ELECTRICAL

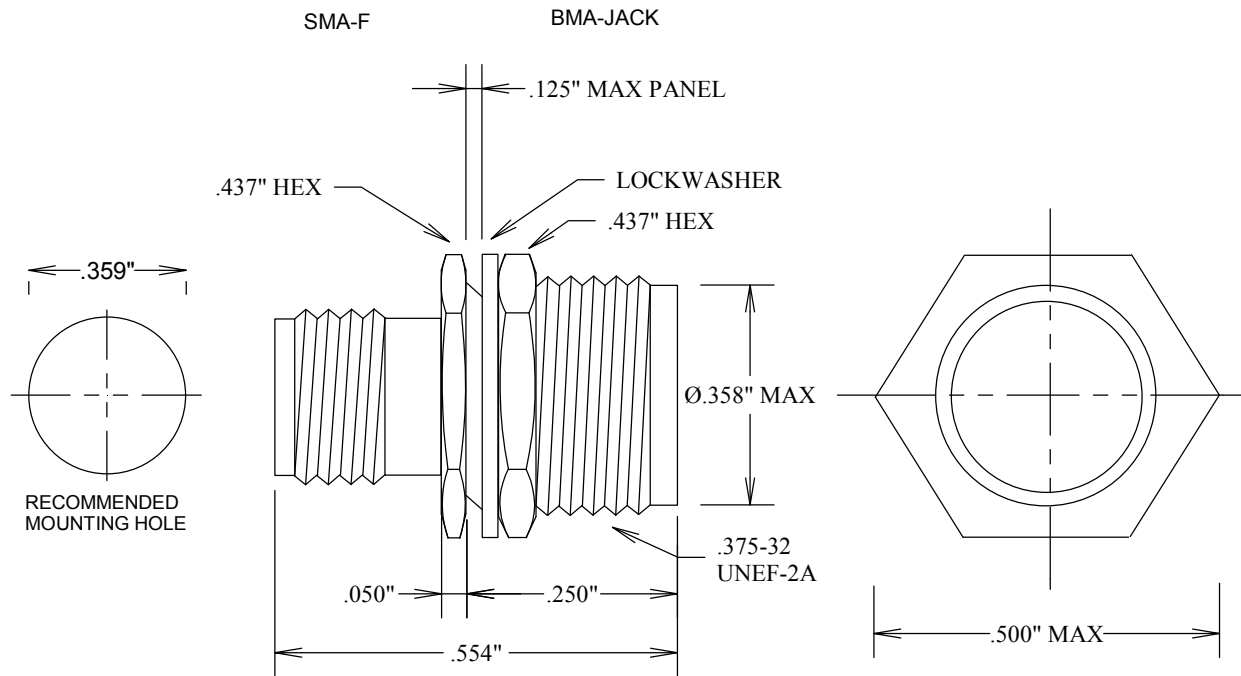
FREQUENCY: 0-18 GHZ  
 IMPEDANCE: 50 OHMS  
 VSWR 1.15:1 MAX  
 (BMA GOOD TO 22GHZ;  
 SMA MAY MODE ABOUT 20.5GHZ)

## MECHANICAL

DURABILITY: 500 CYCLES MIN.  
 TEMPERATURE RANGE: -65 TO +125 DEG C

## MATERIALS

BODY PASS STAINLESS STEEL  
 CONTACTS BeCu, Au PLATING  
 INTERFACE: MIL-STD-348A



**S. M. ELECTRONICS L.L.C**

FAIRVIEW, TX WWW.SMELECTRONICS.US

TITLE

**BMA (OSP)/JACK TO SMA/JACK BULKHEAD**

SIZE	CAGE CODE	DWG NO	REV
<b>A</b>	3FKR5	<b>SM3296</b>	<b>A</b>

SCALE	SHEET
-------	-------