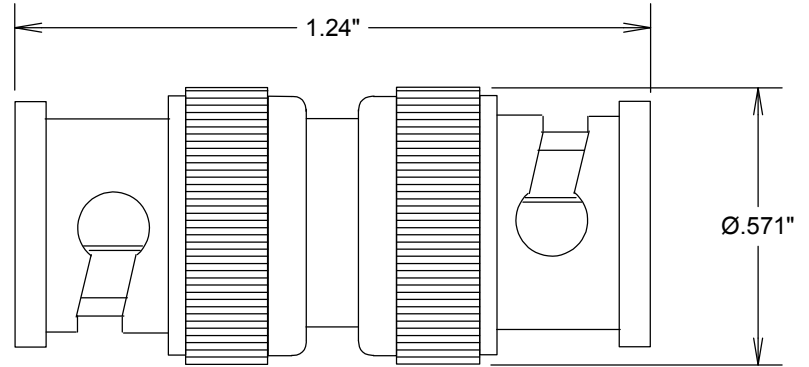


SPECIFICATIONS

ELECTRICAL
 FREQUENCY: 0-4 GHZ
 VSWR: 1.2:1 MAX

MECHANICAL
 MATERIAL BODY: NICKEL PLATED BRASS
 CONTACTS: Au PLATED
 INTERFACE: MIL-STD-348A



				S. M. ELECTRONICS LLC	
				FAIRVIEW, TX WWW.SMELECTRONICS.US	
				TITLE	
				BNC ADAPTER M/M 4GHZ	
SIZE	CAGE CODE	DWG NO	REV		
A	3FKR5	SM3411	-		
SCALE			SHEET		