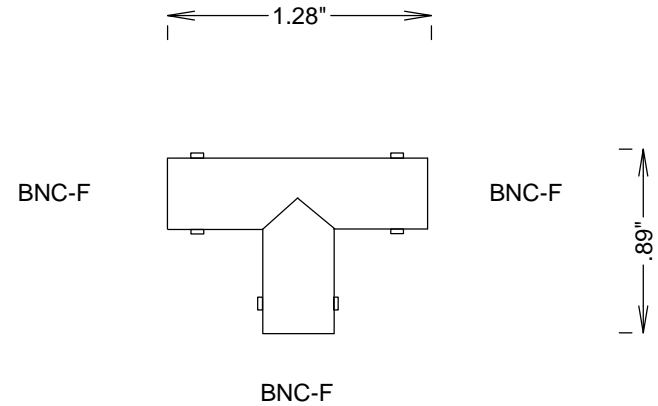


SPECIFICATIONS

ELECTRICAL
 FREQUENCY: 0-4 GHZ
 INPEDANCE: 50 OHMS

MECHANICAL
 MATERIAL BODY: NICKEL PLATED BRASS
 CONTACTS: BeCu
 CONTACT PLATING: Si PER MIL-G-45204
 INSULATOR: TEFLON
 INTERFACE: MIL-STD-348A



				S. M. ELECTRONICS L.L.C.			
				FAIRVIEW, TX WWW.SMELECTRONICS.US			
				TITLE			
				BNC T ADAPTER F-F-F 4GHZ			
SIZE	CAGE CODE	DWG NO		REV			
A	3FKR5	SM3418		-			
SCALE			SHEET				