

# SPECIFICATIONS

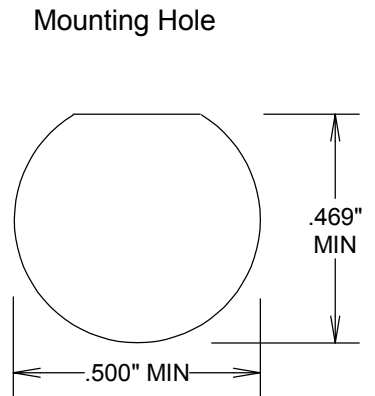
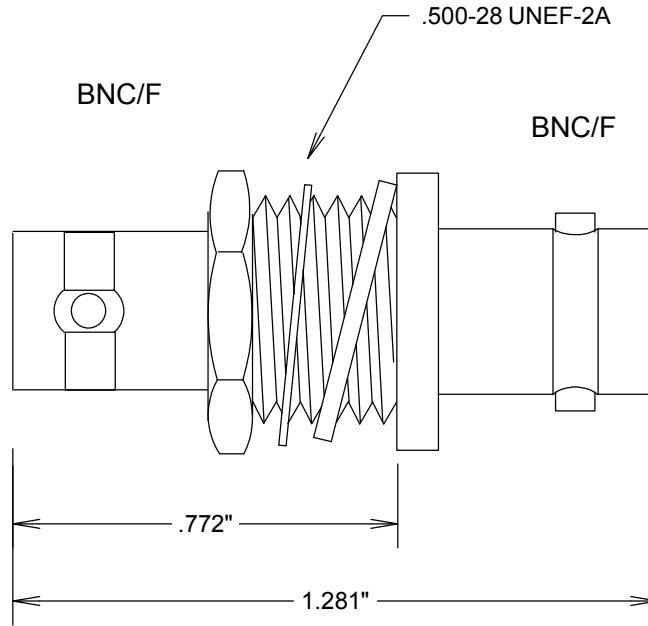
## ELECTRICAL

FREQUENCY: 0-2 GHZ  
 IMPEDANCE: 75 OHMS  
 VSWR: 1.20:1 MAX

## MECHANICAL

MATERIALS BODY: NI PLATED BRASS  
 CONTACT PLATING: Au

ROHS COMPLIANT



**S. M. ELECTRONICS L.L.C**

FAIRVIEW, TX WWW.SMELECTRONICSLLC.COM

TITLE

**BNC F/F BULKHEAD 75 OHMS**

SIZE	CAGE CODE	DWG NO	REV
<b>A</b>	<b>3FKR5</b>	<b>SM3422</b>	--
SCALE	SHEET		