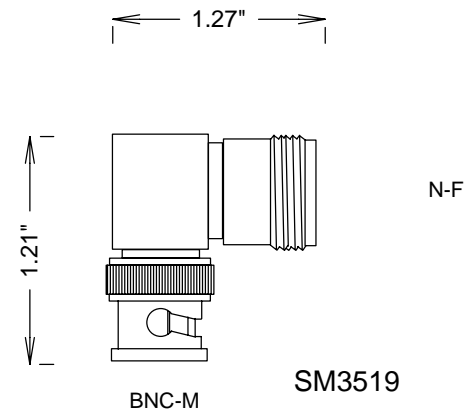
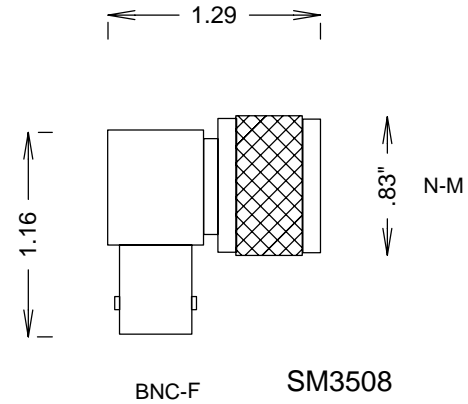


SPECIFICATIONS

ELECTRICAL
 FREQUENCY: 0-4 GHZ
 IMPEDANCE: 50 OHMS

MECHANICAL
 BODY: NICKEL PLATED BRASS
 CONTACT: SILVER PLATED
 INTERFACE: MIL-STD-348A



				S. M. ELECTRONICS			
				FAIRVIEW, TX WWW.SMELECTRONICS.US			
				TITLE			
				N-BNC RIGHT ANGLE ADAPTERS			
SIZE		CAGE CODE		DWG NO		REV	
A		3FKR5		SM3508, SM3519		-	
SCALE						SHEET	