

SPECIFICATIONS

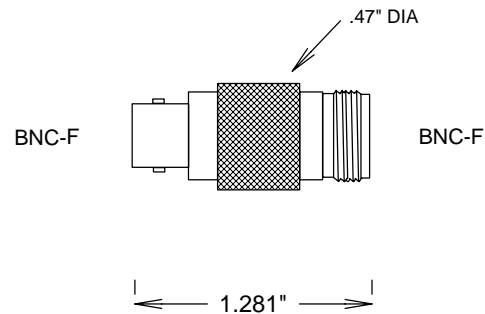
ELECTRICAL

FREQUENCY: 0-4 GHZ
 IMPEDANCE: 50 OHMS
 VSWR: 1.25:1 MAX @ 4GHZ

MECHANICAL

MATERIALS BODY: NICKEL PLATED BRASS
 CONTACT PLATING: BeCu, Au PLATED, MIL-G-45204
 INTERFACE: MIL-STD-348A
 DIELECTRIC: TEFLON

-55 TO +135 DEG C



				S. M. ELECTRONICS			
				FAIRVIEW, TX 75069 WWW.SMELECTRONICS.US			
				TITLE			
				TNC/F-BNC/F ADAPTER			
SIZE	CAGE CODE	DWG NO				REV	
A	3FKR5	SM3546				-	
SCALE						SHEET	