

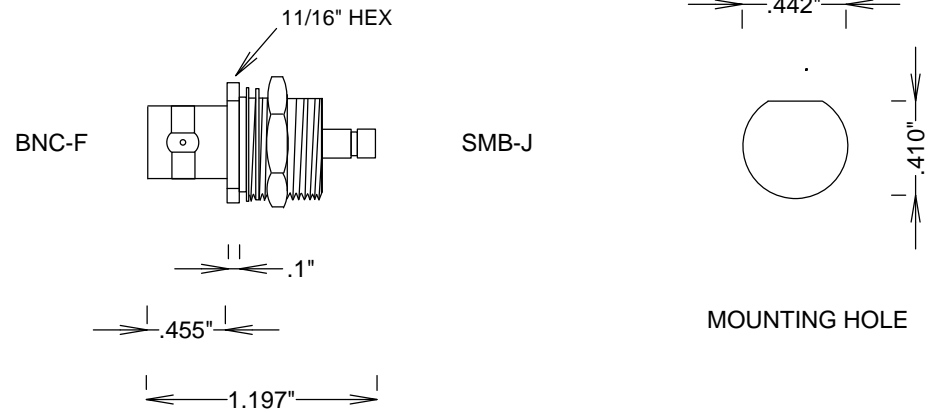
SPECIFICATIONS

ELECTRICAL

FREQUENCY: 0-4 GHZ
 IMPEDANCE: 50 OHMS
 VSWR: 1.20:1 MAX

MECHANICAL

MATERIALS BODY: NI PLATED BRASS
 CONTACT PLATING: Au



				S. M. ELECTRONICS	
				FAIRVIEW, TX WWW.SMELECTRONICS.US	
				TITLE	
				BNC/F SMB/JACK BULKHEAD ADAPTER	
SIZE	CAGE CODE	DWG NO			
A	3FKR5	SM3631	REV		
			--		
SCALE			SHEET		