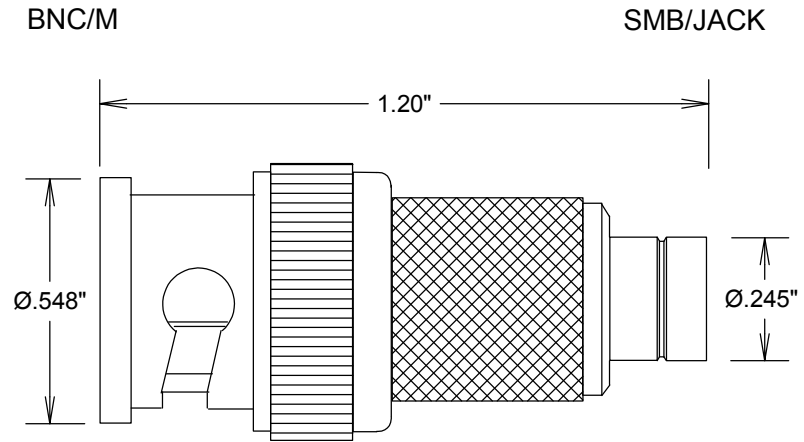


SPECIFICATIONS

ELECTRICAL
 FREQUENCY: 0-4 GHZ
 IMPEDENCE: 75 OHMS
 VSWR: 1.2:1 MAX

MECHANICAL
 MATERIAL BODY: NICKEL PLATED BRASS
 CONTACTS: Au PLATED PER MIL-G-45204
 INTERFACE: MIL-STD-348A
 TEMPERATURE RATING: -55° +110°C
 ROHS COMPLIANT



				FAIRVIEW MICROWAVE			
				ALLEN, TX 75013 WWW.FAIRVIEWMICROWAVE.COM			
				TITLE			
				BNC/M-SMB/JACK 4GHZ 75 OHMS			
SIZE		CAGE CODE		DWG NO		REV	
A		3FKR5		SM3642		-	
SCALE				SHEET			