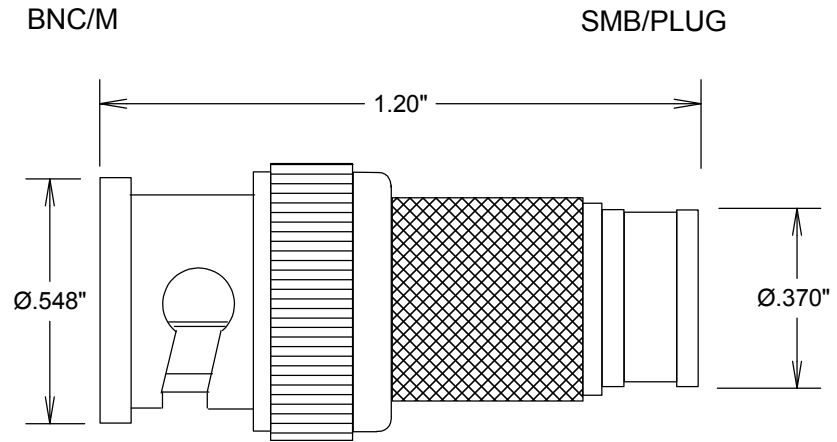


# SPECIFICATIONS

**ELECTRICAL**  
 FREQUENCY: 0-4 GHZ  
 IMPEDENCE: 75 OHMS  
 VSWR: 1.2:1 MAX

**MECHANICAL**  
 MATERIAL BODY: NICKEL PLATED BRASS  
 CONTACTS: Au PLATED PER MIL-G-45204  
 INTERFACE: MIL-STD-348A  
 TEMPERATURE RATING: -55° +110°C  
 ROHS COMPLIANT



				<b>S. M. ELECTRONICS LLC</b>			
				FAIRVIEW, TX <a href="http://WWW.SMELECTRONICS.US">WWW.SMELECTRONICS.US</a>			
				TITLE			
				<b>BNC/M-SMB/PLUG 4GHZ 75 OHMS</b>			
SIZE		CAGE CODE		DWG NO		REV	
<b>A</b>		3FKR5		<b>SM3645</b>		-	
SCALE				SHEET			