

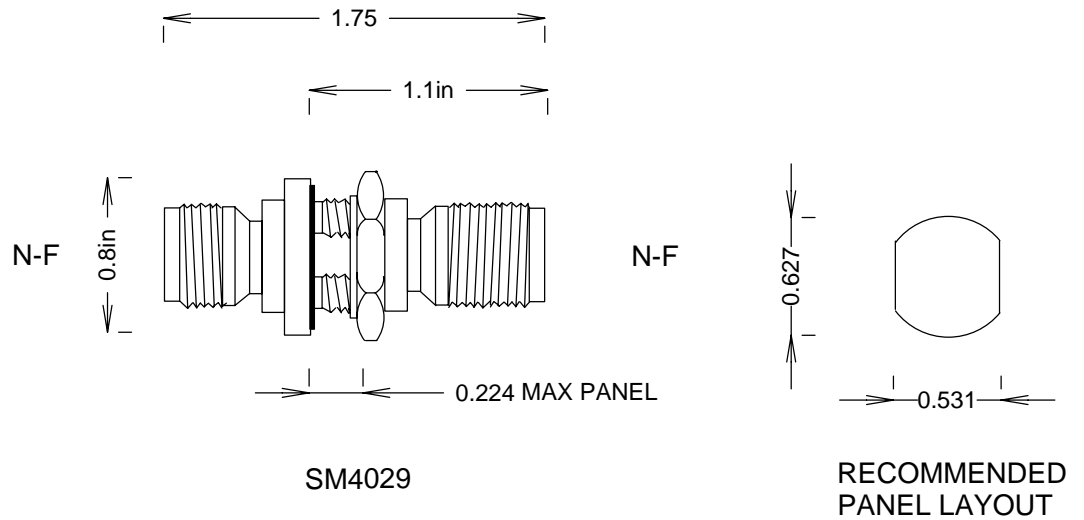
# SPECIFICATIONS

## ELECTRICAL

FREQUENCY: 0-12.4 GHZ  
 IMPEDANCE: 50 OHMS  
 VSWR: 6GHZ 1.2:1 MAX  
 VSWR 12.4GHZ: 1.4:1 MAX  
 ISOLATED GROUND

## MECHANICAL

MATERIALS BODY NICKEL PLATED BRASS  
 CONTACT: BeCu  
 CONTACT PLATING: Au MIL-G-45204  
 MATERIAL INSULATOR: TEFLON  
 INTERFACE: MIL-STD-348A



|          |  |              |  |   |  |          |  |
|----------|--|--------------|--|---|--|----------|--|
|          |  |              |  | <b>S. M. ELECTRONICS</b>  |  |          |  |
|          |  |              |  | FAIRVIEW, TX <a href="http://WWW.SMELECTRONICS.US">WWW.SMELECTRONICS.US</a> |  |          |  |
|          |  |              |  | TITLE   |  |          |  |
|          |  |              |  | N-N F/F 12GHZ BULKHEAD ISOLATED GROUND                                      |  |          |  |
| SIZE     |  | CAGE CODE    |  | DWG NO  |  | REV      |  |
| <b>A</b> |  | <b>3FKR5</b> |  | <b>SM4029</b>   |  | <b>A</b> |  |
| SCALE    |  |              |  | SHEET   |  |          |  |