

SPECIFICATIONS

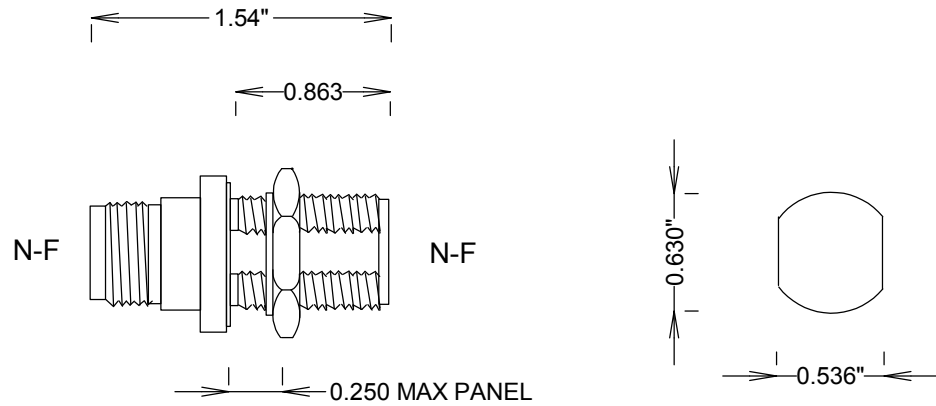
ELECTRICAL

FREQUENCY: 0-12.4 GHZ
 IMPEDANCE: 75 OHMS
 VSWR: 1.25:1 MAX

MECHANICAL

MATERIALS BODY: NICKEL PLATED BRASS
 MATERIALS CONTACTS: BeCu
 CONTACT PLATING: Si QQ-S-365

HERMETIC



RECOMMENDED
 PANEL LAYOUT

				S. M. ELECTRONICS			
				FAIRVIEW, TX WWW.SMELECTRONICS.US			
				TITLE			
				N-N F/F 12.4GHZ BULKHEAD HERMETIC 75 OHMS			
SIZE	CAGE CODE	DWG NO		REV			
A	3FKR5	SM4057		A			
SCALE			SHEET				