

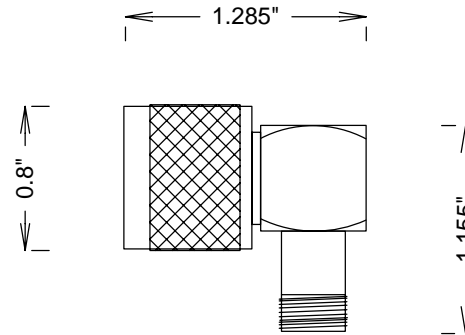
SPECIFICATIONS

ELECTRICAL

FREQUENCY: 0-6 GHZ
IMPEDANCE: 50 OHMS
VSWR: 1.25:1 MAX

MECHANICAL

MATERIALS BODY NICKEL PLATED BRASS



S. M. ELECTRONICS

FAIRVIEW, TX 75069 WWW.SMELECTRONICS.US

TITLE

N/M-TNC/F RIGHT ANGLE ADAPTER

SIZE	CAGE CODE	DWG NO	REV
A	3FKR5	SM4160	--

SCALE SHEET