

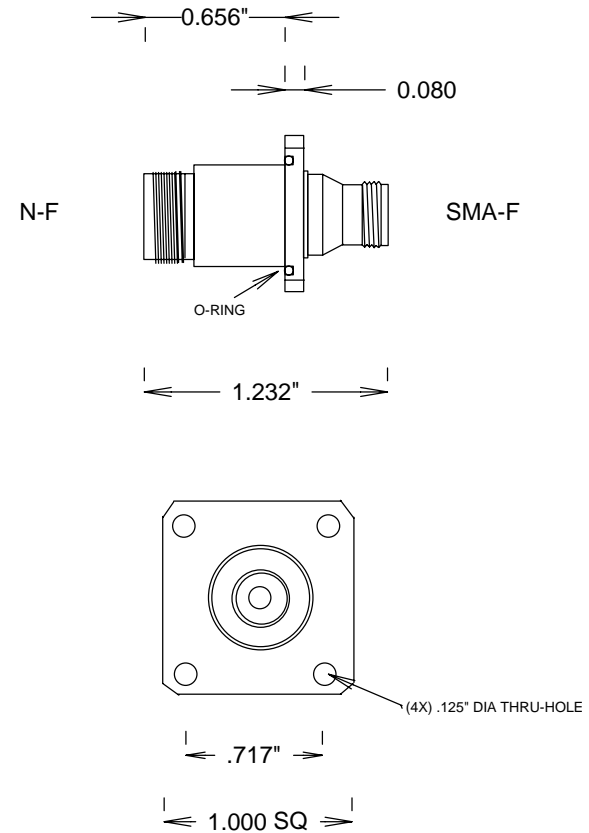
SPECIFICATIONS

ELECTRICAL

FREQUENCY: 0-11 GHZ
 IMPEDANCE: 50 OHMS
 VSWR: 1.2:1 MAX
 VRMS: 250 V SEA LEVEL

MECHANICAL

MATERIALS N NICKEL PLATED BRASS
 MATERIALS SMA PASS S STEEL
 MATERIALS CONTACTS BeCu Au PLATING



S. M. ELECTRONICS

FAIRVIEW, TX WWW.SMELECTRONICS.US

TITLE

N-SMA F/F 11GHZ FLANGE ADAPTER

SIZE	CAGE CODE	DWG NO	REV
A	3FKR5	SM4229	--

SCALE	SHEET
-------	-------