

SPECIFICATIONS

ELECTRICAL

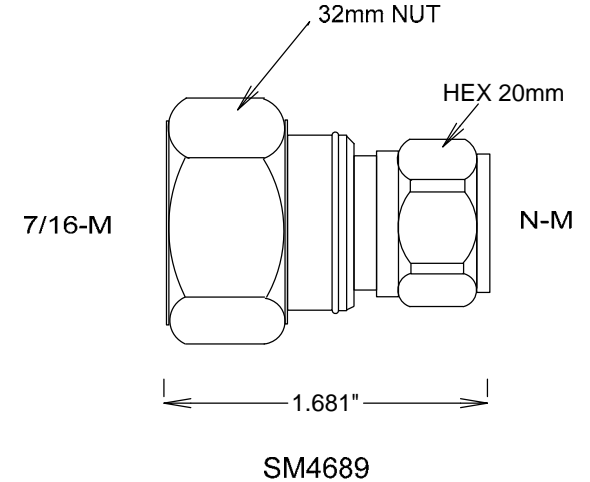
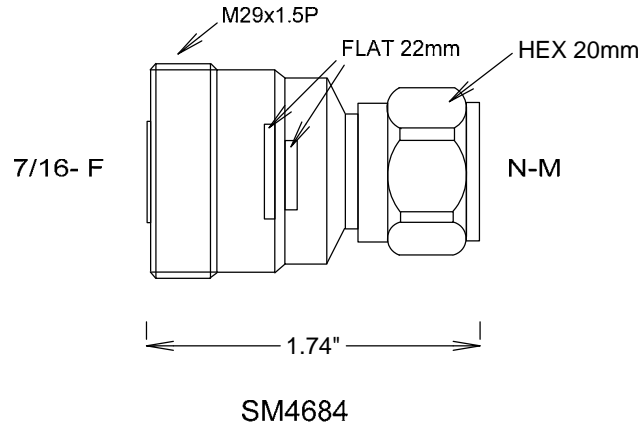
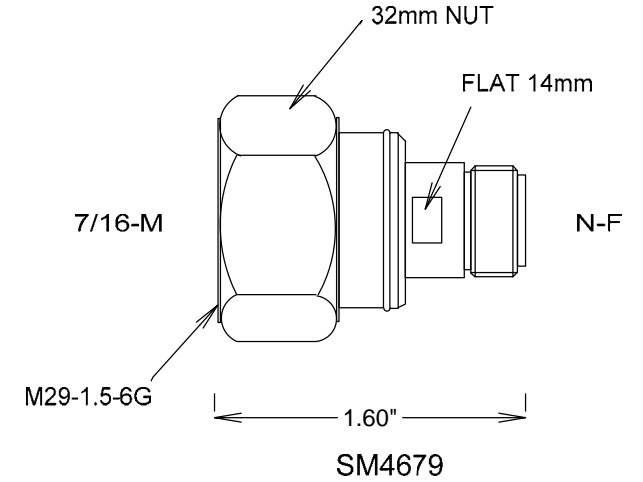
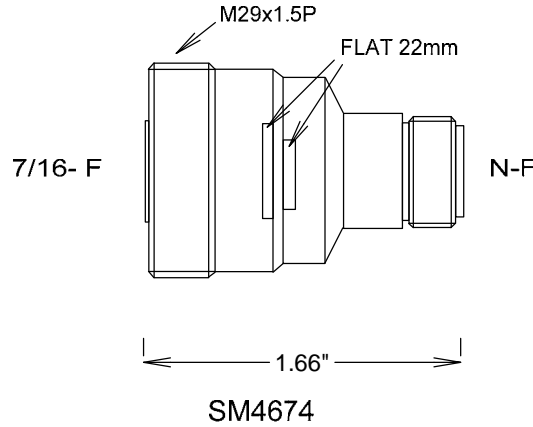
FREQUENCY: 0-6 GHZ
 IMPEDANCE: 50 OHMS
 VSWR: 1.15:1 MAX

MECHANICAL

MATERIALS BODY: PASS S STEEL
 MALE CONTACTS: BRASS, SI PLATING
 FEMALE CONTACTS: BeCu, Si PLATING
 INSULATOR: TEFLON
 O-RINGS: SILICONE-RUBBER
 RECOMMENDED TORQUE 7-16 221 IN-LBS
 DURABILITY: 500 CYCLES MIN

OPERATING TEMP: -55° TO +125° C

ROHS COMPLIANT



S. M. ELECTRONICS L.L.C.

FAIRVIEW, TX WWW.SMELECTRONICS.US

TITLE

N - 7/16 ADAPTERS S STEEL

SIZE	CAGE CODE	DWG NO	REV
A	3FKR5	SM4674, SM4679, SM4684, SM4689	--

SCALE	SHEET
-------	-------