

SPECIFICATIONS

ELECTRICAL

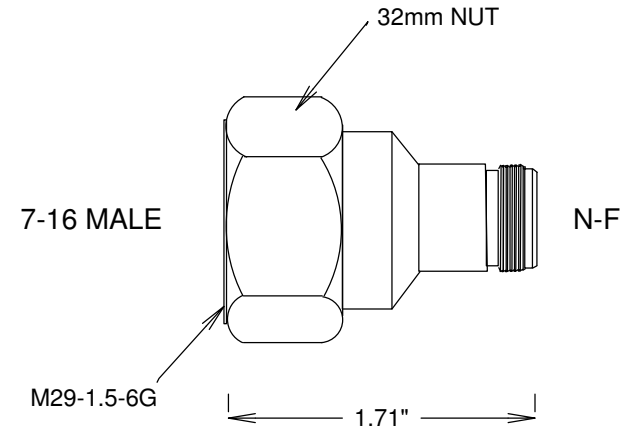
FREQUENCY: 0-8 GHZ
 IMPEDANCE: 50 OHMS
 VSWR: 1.12:1 MAX @ 3GHZ; 1.25 @ 8GHZ
 VRMS: 2700 V SEA LEVEL
 DIELECTRIC WITHSTANDING VOLTAGE: 4000 V RMS
 INSULATION RESISTANCE: 10000 OHMS

MECHANICAL

MATERIALS BODY NICKEL PLATED BRASS
 MATERIALS CONTACTS Au PLATING
 RECOMMENDED TORQUE 7-16 221 IN-LBS; N 8-14 IN-LBS
 DURABILITY: 500 CYCLES MIN

ENVIRONMENTAL PER DIN 47223

MADE IN USA



				S. M. ELECTRONICS	
				FAIRVIEW, TX WWW.SMELECTRONICS.US	
				TITLE	
				N(F)- 7/16(M) DIN ADAPTER	
SIZE		CAGE CODE	DWG NO		REV
A			SM4680		A
SCALE			SHEET		