

SPECIFICATIONS

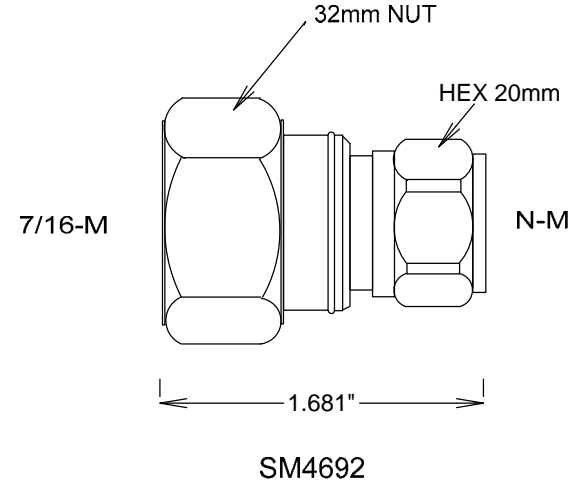
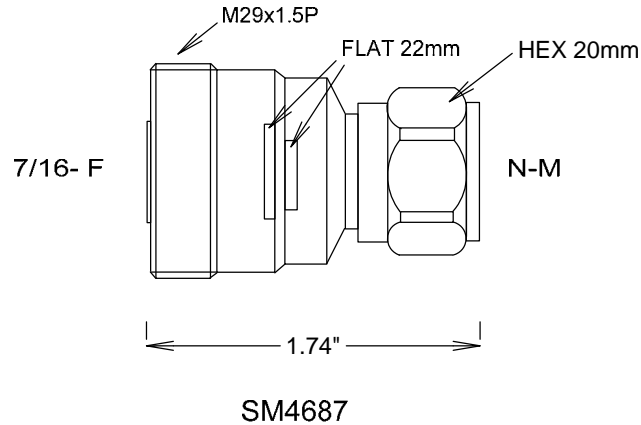
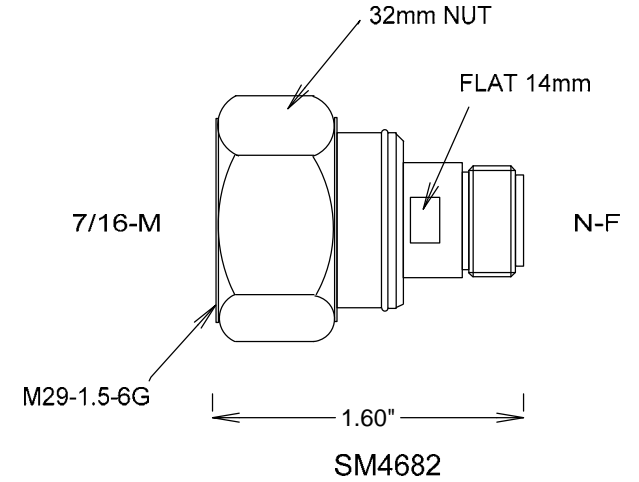
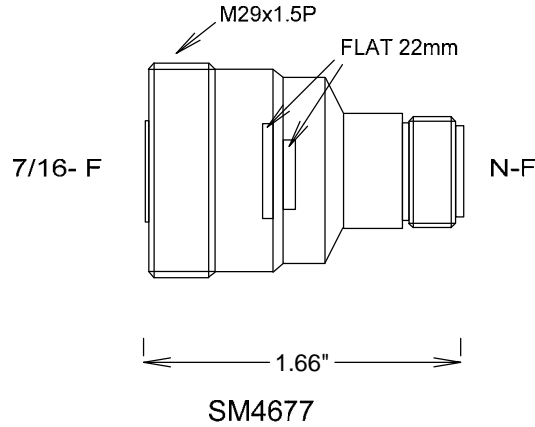
ELECTRICAL

FREQUENCY: 0-6 GHZ
 IMPEDANCE: 50 OHMS
 VSWR: 1.15:1 MAX
 PIM; 160dbc typ for 2 carriers @ 20W

MECHANICAL

MATERIALS BODY: TRIMETAL PLATED BRASS
 MATERIALS CONTACTS SI PLATING
 RECOMMENDED TORQUE 7-16 221 IN-LBS
 DURABILITY: 500 CYCLES MIN

OPERATING TEMP: -55° TO +125° C



S. M. ELECTRONICS

FAIRVIEW, TX WWW.SMELECTRONICS.US

TITLE

N - 7/16 ADAPTERS

SIZE	CAGE CODE	DWG NO	REV
A	3FKR5	SM4677, SM4682, SM4687, SM4692	--
SCALE		SHEET	