

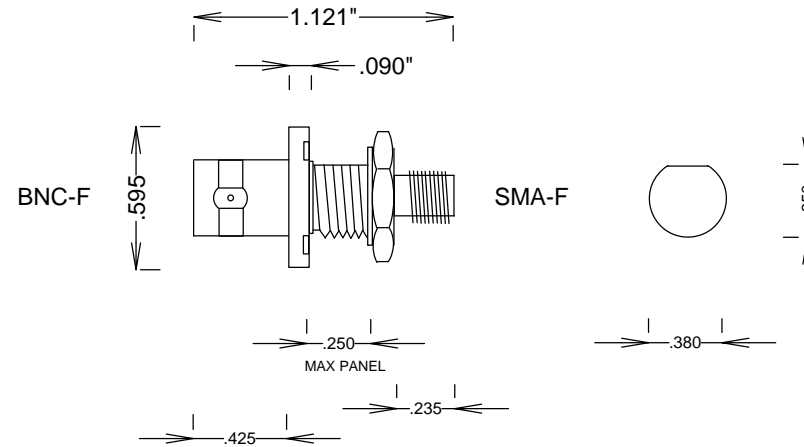
SPECIFICATIONS

ELECTRICAL

FREQUENCY: 0-8 GHZ
 IMPEDANCE: 50 OHMS
 VSWR: 1.20:1 MAX @ 4GHZ; 1.3:1 TYP @ 8GHZ
 VRMS: 500 V SEA LEVEL

MECHANICAL

MATERIALS BODY : PASSIVATED S STEEL
 MATERIALS NUT: NICKEL PLATED BRASS
 CONTACTS: BeCu
 CONTACT PLATING: Au MIL-G-45204
 INTERFACE: MIL-STD-348A



				S. M. ELECTRONICS	
				FAIRVIEW, TX 75069 WWW.SMELECTRONICS.US	
				TITLE	
				SMA/F-BNC/F BULKHEAD ADAPTER	
SIZE		CAGE CODE	DWG NO		REV
A		3FKR5	SM4703		A
SCALE				SHEET	