

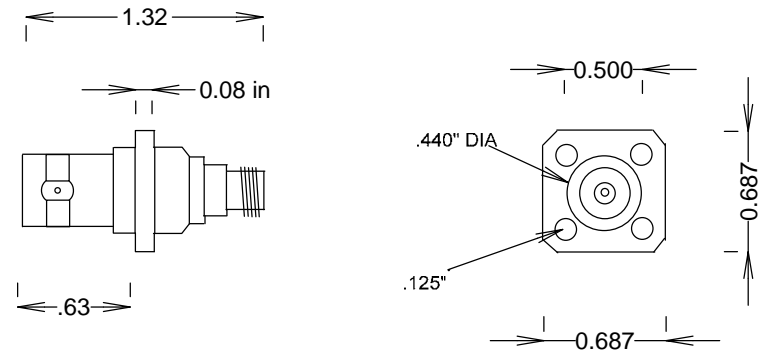
# SPECIFICATIONS

## ELECTRICAL

FREQUENCY: 0-4 GHZ  
 IMPEDANCE: 50 OHMS  
 VSWR: 1.20:1 MAX  
 VRMS: 250 V SEA LEVEL

## MECHANICAL

MATERIALS BODY SMA: PASS. STAINLESS STEEL  
 MATERIALS BODY BNC: NICKEL PLATED BRASS  
 MATERIAL CONTACTS: BeCu  
 CONTACT PLATING: Au PER MIL-G-45204  
 INSULATOR: TEFLON  
 INTERFACE: MIL-STD-348B  
 TEMPERATURE RANGE: -55 TO +125°C



				<b>S. M. ELECTRONICS L.L.C.</b>	
				FAIRVIEW, TX <a href="http://WWW.SMELECTRONICS.US">WWW.SMELECTRONICS.US</a>	
				TITLE	
				<b>SMA/F-BNC/F FLANGE 4GHZ ADAPTER</b>	
		SIZE	CAGE CODE	DWG NO	REV
		<b>A</b>	<b>3FKR5</b>	<b>SM4708</b>	<b>C</b>
				SCALE	SHEET