

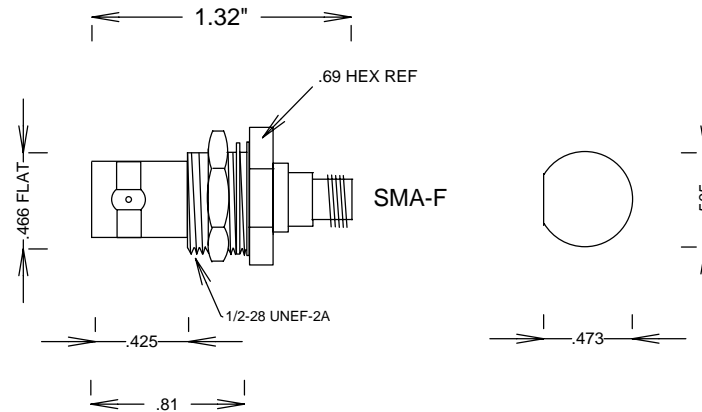
SPECIFICATIONS

ELECTRICAL

FREQUENCY: 0-4 GHZ
 IMPEDANCE: 50 OHMS
 VSWR: 1.20:1 MAX @ 4GHZ; 1.4:1 TYP @ 10GHZ
 VRMS: 500 V SEA LEVEL

MECHANICAL

MATERIALS BODY : NICKEL PLATED BRASS
 CONTACT PLATING: Au



				S. M. ELECTRONICS			
				FAIRVIEW, TX 75069 WWW.SMELECTRONICS.US			
				TITLE			
				SMA/F-BNC/F BULKHEAD 4GHZ ADAPTER			
		SIZE	CAGE CODE	DWG NO			REV
		A	3FKR5	SM4712			
				SCALE			SHEET