

SPECIFICATIONS

ELECTRICAL

FREQUENCY: 0-11 GHZ
 IMPEDANCE: 50 OHMS
 VSWR 1.25:1 MAX

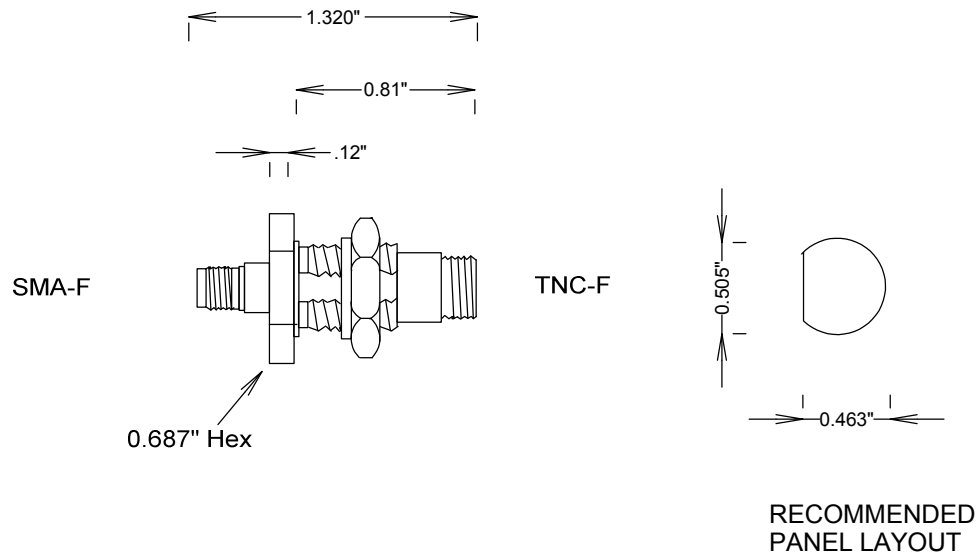
MECHANICAL

MATERIALS BODY TNC Ni PLATED BRASS
 MATERIALS BODY SMA PASS STAINLESS STEEL
 MATERIALS CONTACTS BeCu
 CONTACT PLATING: Au PLATING MIL-G-45204
 INTERFCAE: MIL-STD-348A

DURABILITY: 500 CYCLES MIN

ENVIRONMENTAL

CORROSION MIL-STD-202
 VIBRATION MIL-STD-202
 SHOCK MIL-STD-202



				FAIRVIEW MICROWAVE	
				ALLEN, TX 75013 WWW.FAIRVIEWMICROWAVE.COM	
				TITLE	
				SMA/F-TNC/F BULKHEAD ADAPTER	
		SIZE	CAGE CODE	DWG NO	REV
		A	3FKR5	SM4740	A
				SCALE	SHEET