

SPECIFICATIONS

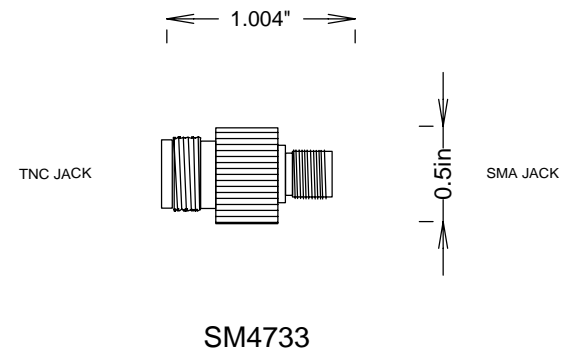
ELECTRICAL

FREQUENCY: 0-11 GHZ
 IMPEDANCE: 50 OHMS
 VSWR: 1.20:1 MAX

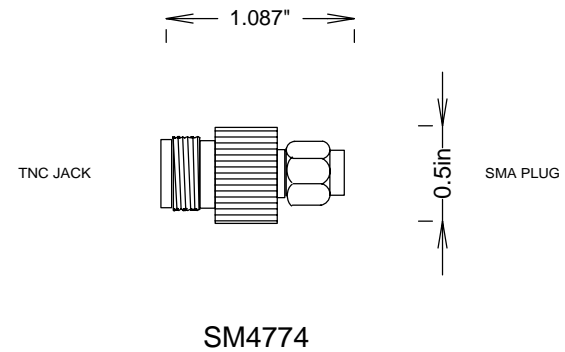
MECHANICAL

MATERIALS BODY NICKEL PLATED BRASS
 MATERIALS CONTACTS BeCu Au PLATING

ROHS COMPLIANT



SM4733



SM4774

				S. M. ELECTRONICS	
				FAIRVIEW, TX WWW.SMELECTRONICS.US	
				TITLE	
				SMA-TNC ADAPTERS 11GHZ	
SIZE	CAGE CODE	DWG NO	REV		
A	3FKR5	SM4733, SM4774	--		
SCALE			SHEET		