

SPECIFICATIONS

ELECTRICAL

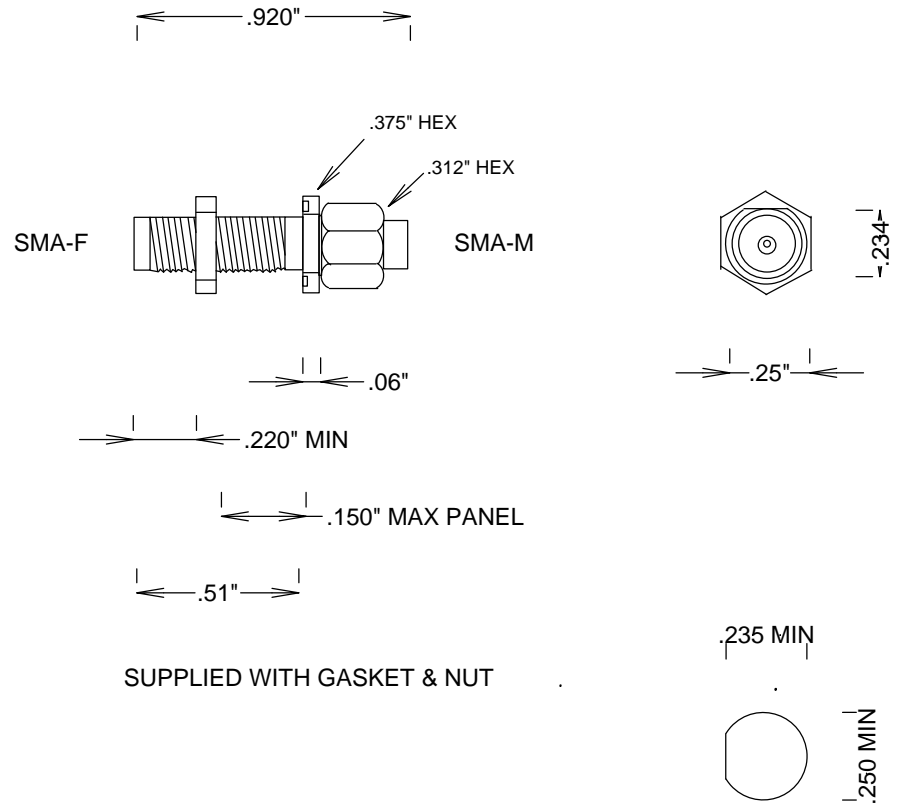
FREQUENCY: 0-18 GHZ
 IMPEDANCE: 50 OHMS
 VSWR: 1.20:1 MAX

MECHANICAL

MATERIALS BODY NICKEL PLATED BRASS
 MATERIALS CONTACTS BeCu
 PLATING CONTACTS: Au PER MIL-G-45204
 DURABILITY: 100 CYCLES MIN
 INSULATOR: TEFLON
 INTERFACE: MIL-STD-348A

STORAGE TEMP: -65°+165 °C
 OPERATING TEMP: -55°+120 °C

ROHS COMPLIANT



RECOMMENDED PANEL CUTOUT

				S. M. ELECTRONICS L.L.C.			
				FAIRVIEW, TX WWW.SMELECTRONICS.US			
				TITLE			
				SMAM - SMA/F BULKHEAD ADAPTER			
		SIZE	CAGE CODE	DWG NO		REV	
		A	3FKR5	SM4929		D	
				SCALE		SHEET	