

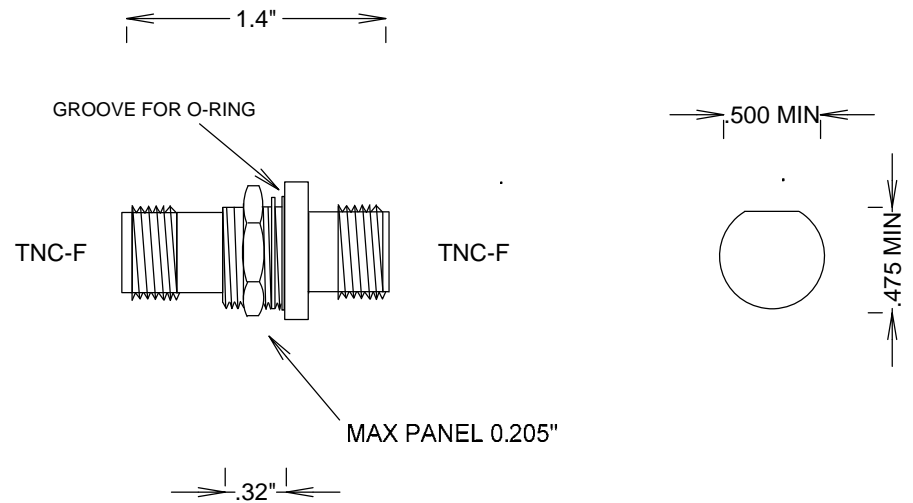
SPECIFICATIONS

ELECTRICAL

FREQUENCY: 0-18 GHZ
 IMPEDANCE: 50 OHMS
 VSWR: 1.15:1 MAX

MECHANICAL

MATERIALS BODY : PASSIVATED STAINLESS STEEL
 CONTACT PLATING: Au PER MIL-G-5204
 INTERFACE: MIL-STD-348A



S. M. ELECTRONICS

FAIRVIEW, TX 75069 WWW.SMELECTRONICS.US

TITLE

TNC F/F BULKHEAD 18GHZ ADAPTER

SIZE	CAGE CODE	DWG NO	REV
A	3FKR5	SM5719	C

SCALE	SHEET
-------	-------