

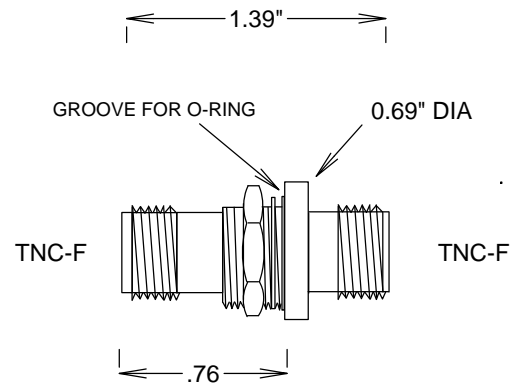
SPECIFICATIONS

ELECTRICAL

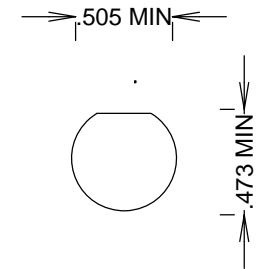
FREQUENCY: 0-11 GHZ
 IMPEDANCE: 50 OHMS
 VSWR: 1.25:1 MAX

MECHANICAL

MATERIALS BODY : NICKEL PLATED BRASS
 CONTACT MATERIAL: BeCu
 CONTACT PLATING: Au PER MIL-G-45204
 INSULATOR: TEFLON
 INTERFACE: MIL-STD-348A
 HERMETIC



PANEL CUTOUT



S. M. ELECTRONICS

FAIRVIEW, TX 75069 WWW.SMELECTRONICS.US

TITLE

TNC F/F BULKHEAD 11GHZ ADAPTER

| | | | |
|------------------|---------------------------|-------------------------|-----------------|
| SIZE A | CAGE CODE 3FKR5 | DWG NO SM5723 | REV B |
|------------------|---------------------------|-------------------------|-----------------|

| | |
|-------|-------|
| SCALE | SHEET |
|-------|-------|