

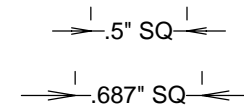
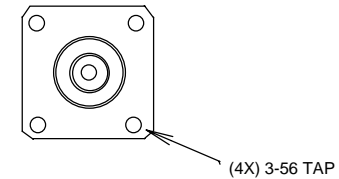
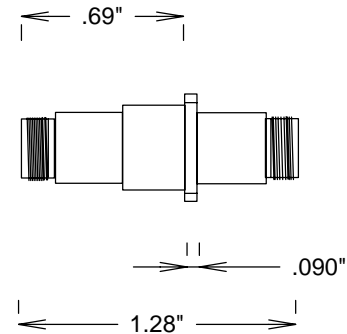
SPECIFICATIONS

ELECTRICAL

FREQUENCY: 0-12.4 GHZ
 IMPEDANCE: 50 OHMS
 VSWR: 1.25:1 MAX

MECHANICAL

MATERIALS BODY BRASS, NICKLE PLATED
 MATERIALS CONTACTS BeCu, SI PLATING
 INTERFACE: MIL-STD-348A



				S. M. ELECTRONICS	
				FAIRVIEW, TX 75069 WWW.SMELECTRONICS.US	
				TITLE	
				TNC F/F 12.4GHZ FLANGE ADAPTER	
SIZE	CAGE CODE	DWG NO		REV	
A	3FKR5	SM5724		--	
SCALE			SHEET		