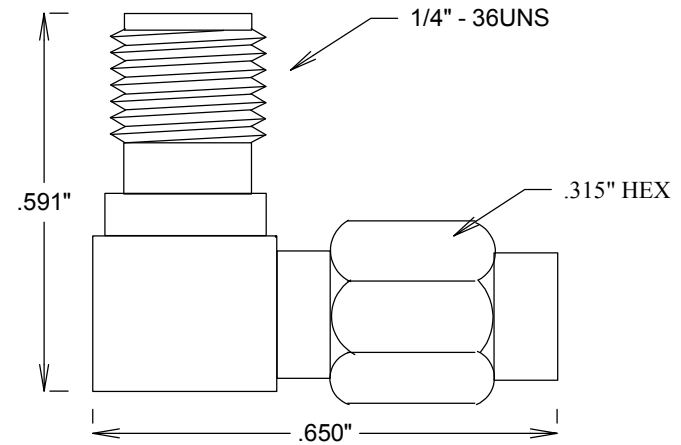


SPECIFICATIONS

ELECTRICAL
 50 OHMS
 VSWR 1.23:1 MAX
 FREQUENCY: 0-12.4 GHZ

MATERIALS
 BODY: BRASS
 CENTER CONTACTS: BECU
 INSULATOR: TEFLON
 BODY FINISH: WHITE BRONZE 80 μ " MIN
 CENTER CONTACT FINISH: GOLD 50 μ " MIN
 INTERFACE: MIL-STD-348A

ROHS COMPLIANT



				S. M. ELECTRONICS L.L.C	
				FAIRVIEW, TX 75069 WWW.SMELECTRONICSLLC.COM	
				TITLE	
				SMA RIGHT ANGLE M/F TRIMETAL BODY	
SIZE	CAGE CODE	DWG NO	REV		
A	3FKR5	SM7568	--		
SCALE			SHEET		