

SPECIFICATIONS

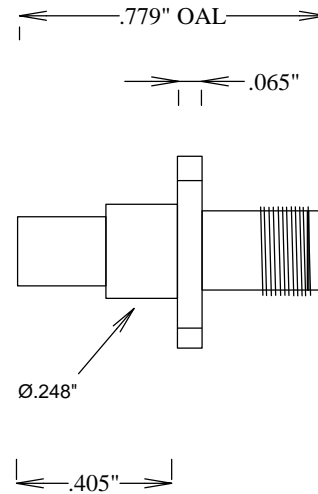
ELECTRICAL:

FREQUENCY: 0-26.5 GHZ
 IMPEDANCE: 50 OHMS
 VSWR: 1.2:1 MAX

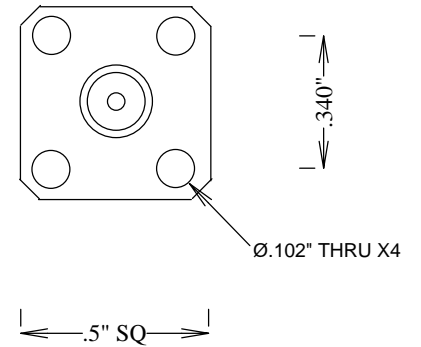
MECHANICAL:

MATERIAL SMP BODY: BeCu
 MATERIAL SMA BODY: PASS S STEEL
 CENTER CONTACTS: BeCu
 CONTACT PLATING: Au PER MIL-G-45204
 INSULATOR: PTFE
 INTERFACE: SMP DESC 94007
 INTERFACE: SMA MIL-STD-348B
 OP. TEMP RANGE: -55° to +125°C
 ROHS COMPLIANT
 SMP FORCE TO ENGAGE: 15.0 LBS MAX
 SMP FORCE TO DISENGAGE: 5.0 LBS MIN
 FULL DETENTE

MMSP-M
 DESC 94007



SMA-F



				S. M. ELECTRONICS L.L.C.	
				FAIRVIEW, TX 75069 WWW.SMELECTRONICS.US	
				TITLE	
				ADAPTER SMP/M-SMA/F 26.5GHZ FULL DETENTE	
SIZE	CAGE CODE	DWG NO	REV		
A	3FKR5	SM8841	--		
SCALE			SHEET		