

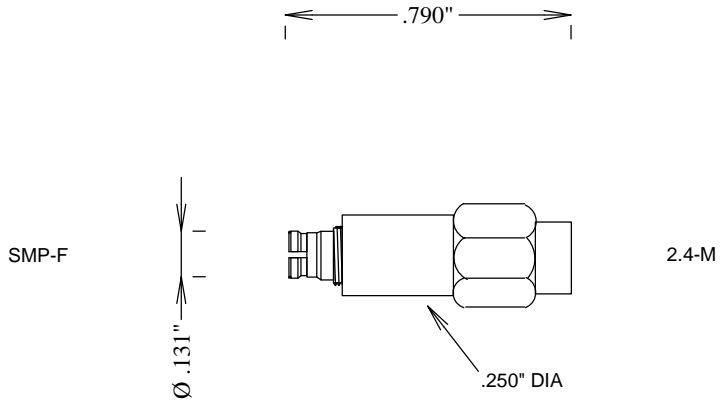
SPECIFICATIONS

ELECTRICAL:

FREQUENCY: 0-40 GHZ
 IMPEDANCE: 50 OHMS
 VSWR: 1.25:1 MAX

MECHANICAL:

MATERIAL SMP BODY: BeCu
 MATERIAL 2.4 BODY: PASS S STEEL
 CENTER CONTACTS: BeCU
 PLATING: Au PER MIL-G-45204
 INSULATOR: PTFE
 INTERFACE: 2.4 MIL-STD-348B
 OP. TEMP RANGE: -55° to +125°C
 ROHS COMPLIANT



S. M. ELECTRONICS L.L.C.
 FAIRVIEW, TX 75069 WWW.SMELECTRONICS.US

TITLE

ADAPTER SMP/F-2.4mm 40GHZ

SIZE	CAGE CODE	DWG NO	REV
A	3FKR5	SM8865	--

SCALE	SHEET
-------	-------