

KS2699-OEM

14-17 GHz 40 Watt *Spatium*[™] Power Amplifier

Performance Specifications

Parameter	Units	Min.	Typ.	Max.
Frequency	GHz	14		17
Gain	dB	20	23	
vs. Freq.	±dB		1	
vs. Temp.	±dB		1	
VSWR (In)			2.0:1	3.0:1
VSWR (Out)			2.0:1	3.0:1
Noise Figure	dB		10	12

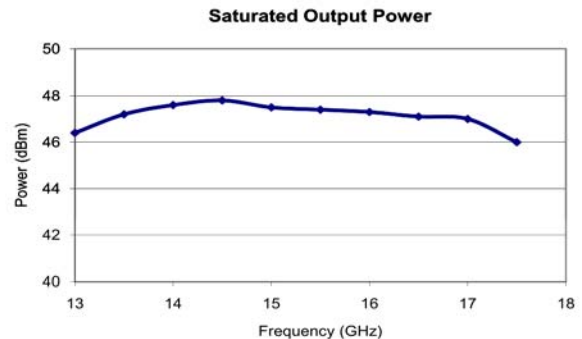
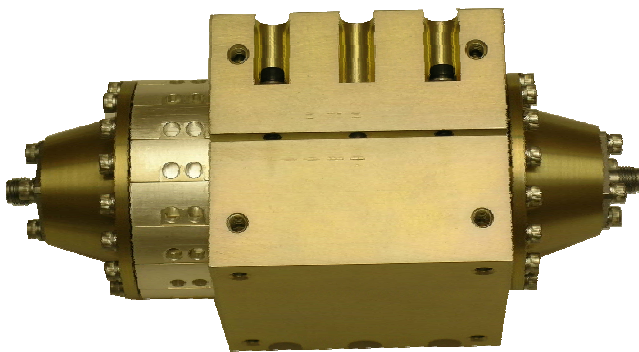
Parameter	Units	Min.	Typ.	Max.
RF Power				
Sat.	Watts	40	55	
P-1dB	Watts		50	
Efficiency	%		20	
Spurious	dBc		-60	
DC Volts	V		7	
DC Current	A		35	

Physical

Dimensions	5.7"x2.4"x2.4"
RF Connectors	SMA(F) In/Out
DC Connector	
Supply and I/O Board	+7VDC (DC Supply) DC Return Fault Monitor

Environmental

Temp. Operating	-40° to +70°C Case
Temp. Storage	-40° to +85°C
Cooling	Conduction
Mounting	#8-32 Machine Screws



Creative Amplification Products

Phone: +1 805 499 1166
Fax: +1 805 499 6649
E-mail: sales@capwireless.com
Web: www.capwireless.com

990101-00 Rev. A

Detail Page 1

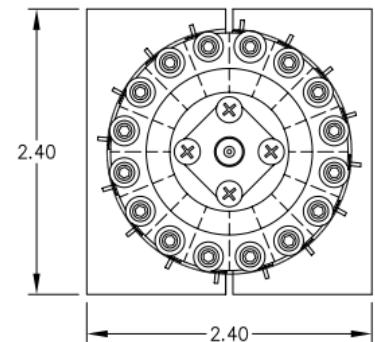
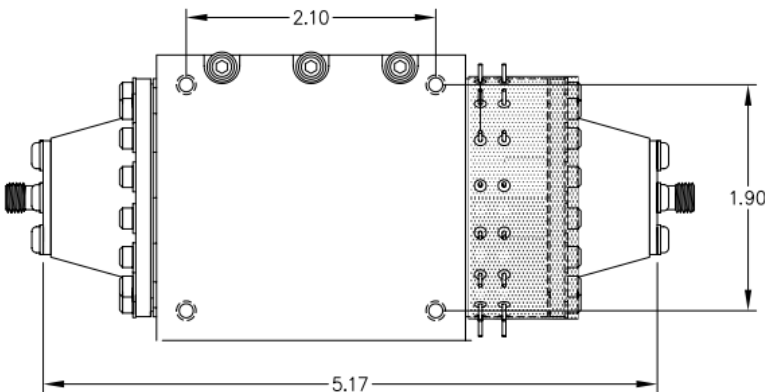
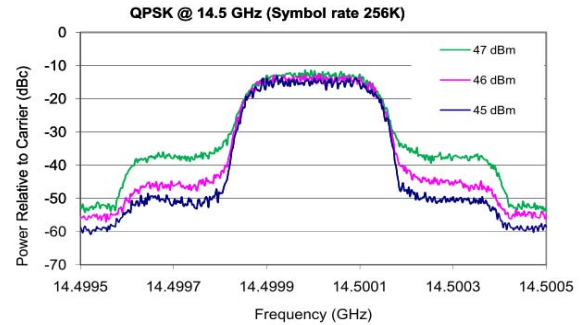
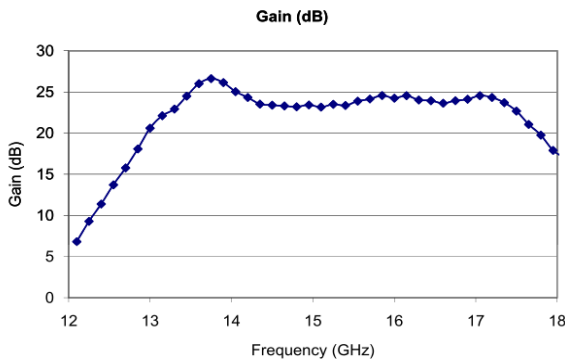
 CAP Wireless, Inc.

3235 Grande Vista Drive
Newbury Park, CA 91320

KS2699-OEM

14-17 GHz 40 Watt *Spatium™* Power Amplifier

Typical Performance Plots



Creative Amplification Products

Phone: +1 805 499 1166
Fax: +1 805 499 6649
E-mail: sales@capwireless.com
Web: www.capwireless.com

990101-00 Rev. A

Detail Page 2

 **CAP Wireless, Inc.**

3235 Grande Vista Drive
Newbury Park, CA 91320