



Features

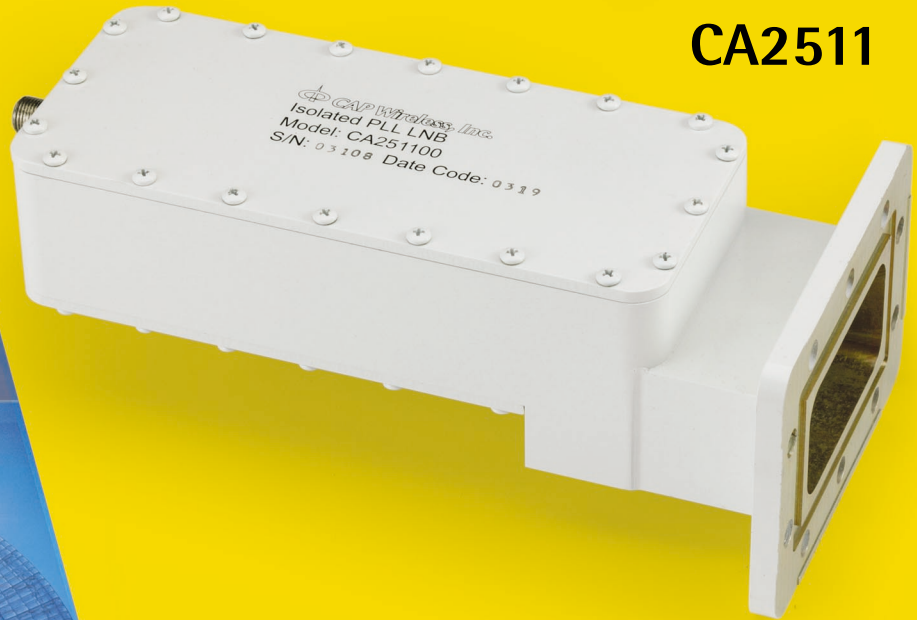
- Integrated Input Isolator
- Ultra Low Noise Figure
- Internal Regulator/Active Bias
- Excellent Phase Noise

Options

- Other Frequencies
- Gain Levels
- Higher Ip3

Isolated, Low Noise Block Down Converter

CA2511



Description

This Isolated Low Noise Block Down Converter was designed for the Satellite Broadcast market. The combination of integrated input isolator, ultra low noise figure, and excellent phase noise results in improved Eb/No performance and higher data rates per transponder.



Model	CA2511	Units
Input Frequency	3.7-4.2	GHz
Output Frequency	950-1450	MHz
Gain (min)	60	dB
Flatness p-p (max)	+/-0.2 any 40 MHz	dB
Noise Temp	35°K at 25°C	dB
VSWR in (max)	1.5:1	
VSWR out (max -75 ohm)	1.5:1	
P1dB (min)	+2	dBm
Output Ip3 (min)	+15	dBm
Voltage	+15 to 24	VDC
DC Current (typ)	350	mA

Specification at T= +25°C

Operating temperature: -40 to +60°C.

Storage temperature: -54 to +85°C

Input/Output Conn: WR229G/"F"

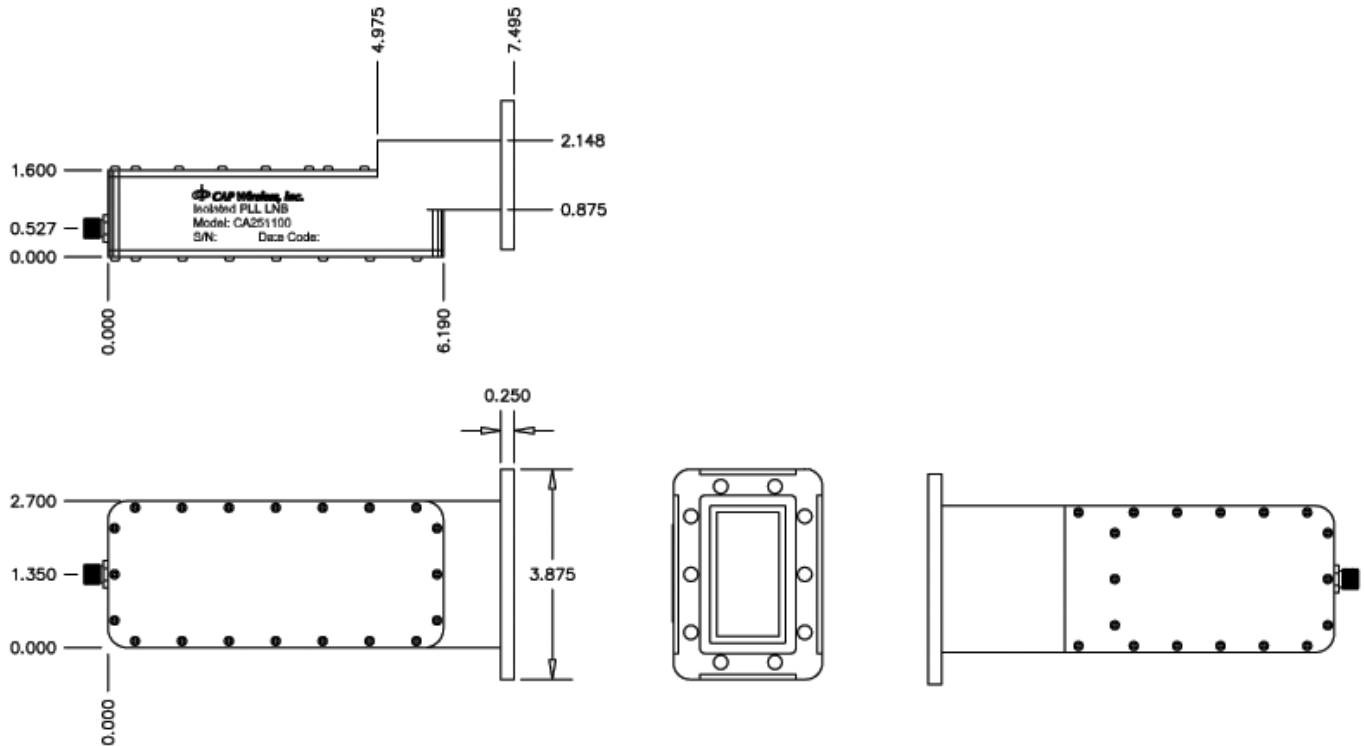
Phase Noise

Offset	dBc/Hz
1 KHz	-73
10 KHz	-80
100 KHz	-90



Isolated, Low Noise Block Down Converter CA2511

Outline Drawing



Company Design Philosophy

Essential to the company's strategy is the use of the latest and most sophisticated design software available. These design tools include complete suites of HP-EEsof, and AWR- Microwave Office, circuit and system high frequency EDA tools. The company consistently achieves its goal of accurately creating "prototypes" in software, as evidenced by its ability to go directly from a simulated design to deliverable prototypes and rapidly ramp to fulfill volume requirements. A crucial element of the company's development philosophy is to "design for production" to drastically improve manufacturability by virtually eliminating tuning and adjustments as part of the manufacturing process. The result is lower cost, higher reliability products with predictable delivery times.

The products shown on these data sheets are merely a representation of the company's capabilities, where a library of designs is available to draw upon to meet specific customer performance requirements. If you have a unique requirement, contact the factory to explore the latest in technology.