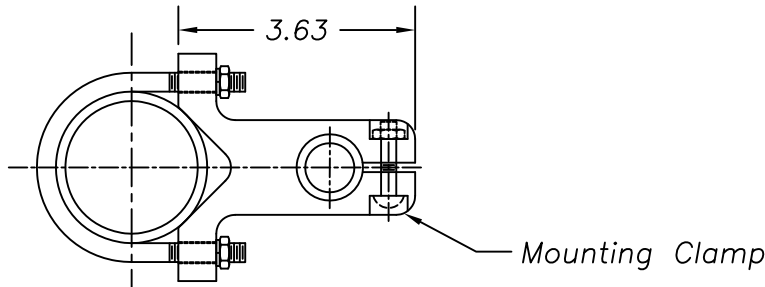


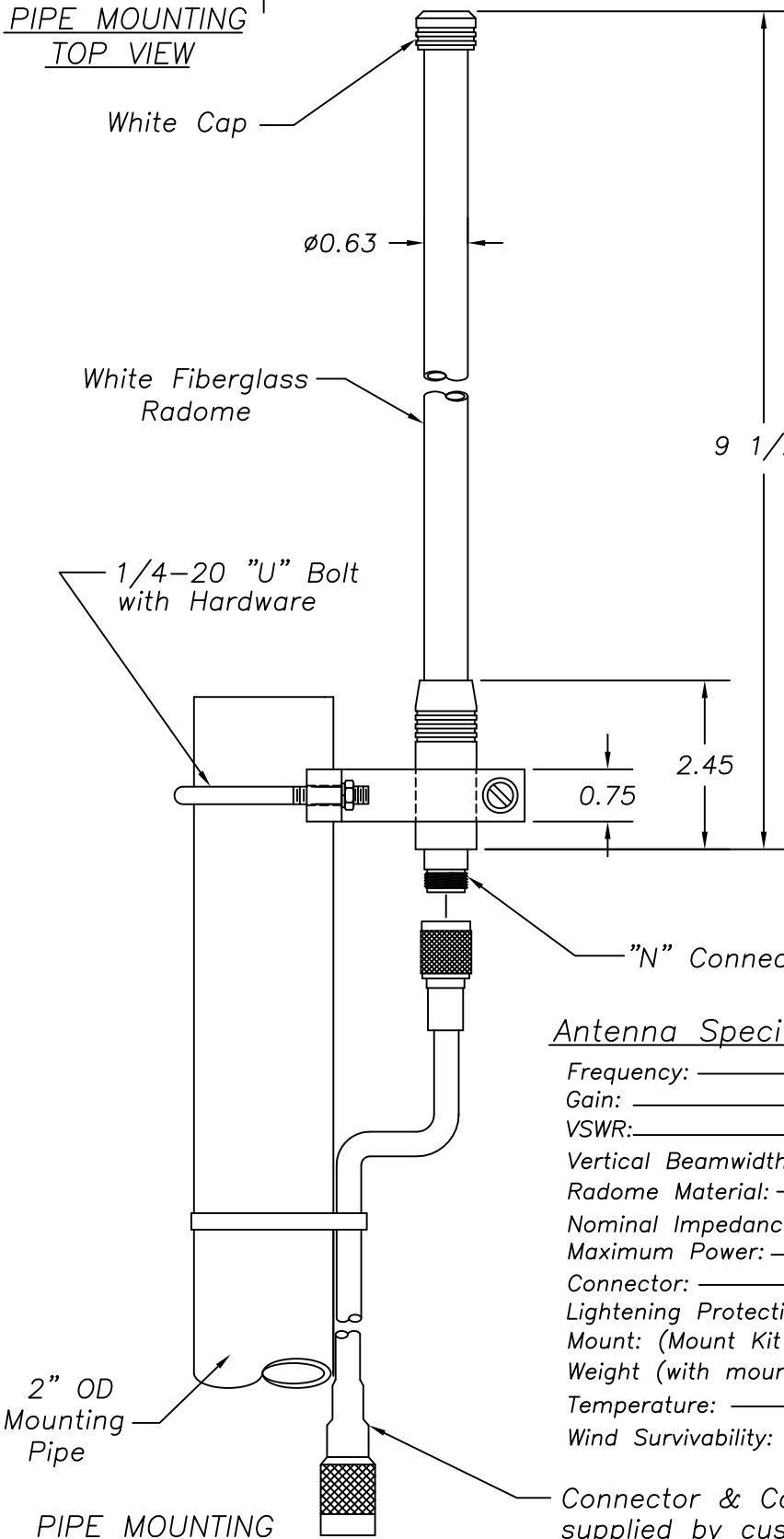
MOBILE MARK[®]

COMMUNICATIONS ANTENNAS

3900-B RIVER ROAD, SCHILLER PARK, IL 60176
 PHONE: (847) 671-6690 * FAX (847) 671-6715
 VISIT OUR WEBSITE AT WWW.MOBILEMARK.COM

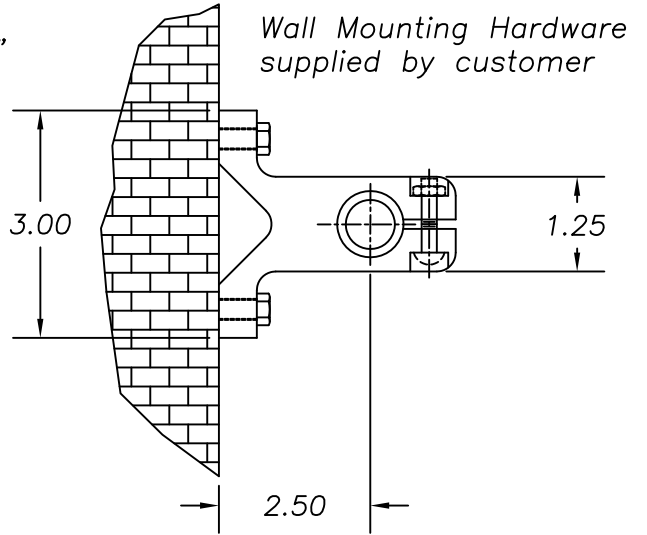


PIPE MOUNTING
TOP VIEW



ECO5-2400/5500

Dual Band 2400/5500
Economy Omni Antenna
5 dbi with Mounting Kit
2.4 - 2.5 & 5.150 - 5.925



WALL MOUNTING
TOP VIEW

Antenna Specifications:

- Frequency: _____ 2.4-2.5 & 5.150-5.925
- Gain: _____ 5 dbi
- VSWR: _____ 2:1 Max
- Vertical Beamwidth (-3 dB) _____ 30 deg. at 5500 & 22 deg. at 245C
- Radome Material: _____ White Fiberglass
- Nominal Impedance: _____ 50 OHM Nominal
- Maximum Power: _____ 10 Watts
- Connector: _____ "N" Female Termination
- Lightening Protection: _____ External Recommended
- Mount: (Mount Kit included) _____ Mounts up to 2" OD Pipe,
- Weight (with mount): _____ 8 oz.
- Temperature: _____ -40C to +80C
- Wind Survivability: _____ 100 mph minimum
- _____ 100 mph with 1/2" radial ice