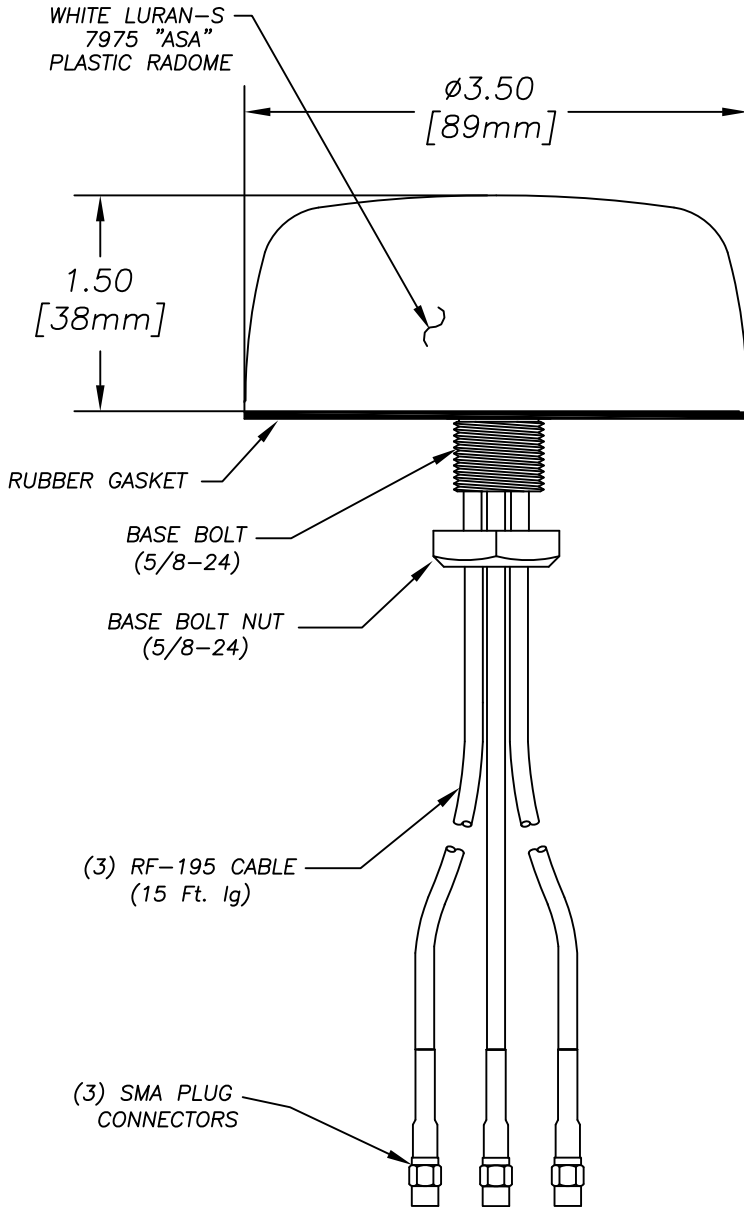


EDN268-400

MIMO Low Profile Surface Mt. Three Feed Antenna 2.4-2.5 & 4.9-6.0 GHz



Metric Dimensions in Brackets [mm]



Electrical Properties:

Frequency: $\begin{cases} \text{—————} 2.4-2.5 \text{ GHz} \\ \text{—————} 4.9-6.0 \text{ GHz} \end{cases}$

Polarization: ————— Vertical

Impedance: ————— 50 Ohm nominal

Maximum Power: ————— 20 Watts

Gain: ————— 4 dBi

VSWR: ————— Less than 2:1

Isolation between elements ————— >20 dB

Cables: ————— (3) RF-195

Connectors: ————— (3) SMA Plug

Surface Mounting: ————— up to 1/4" thk metal

Hardware: ————— Nut and Gasket

Mechanical Properties:

Base Diameter: ————— 3.50" (89mm)

Height: ————— 1.50" (38mm)

Weight: ————— 1.0 lbs (.45 kg)

Radome Material: ————— White "ASA" Plastic

Environmental Properties:

Operating Temperature: ————— -40C to +80C

Water Ingress Rating: ————— IP X 7

Shock and Vibration $\begin{cases} \text{—————} \text{EN61373:1999} \\ \text{—————} \text{IEEE1478-2001} \\ \text{—————} \text{MIL-STD-810G} \end{cases}$

PRELIMINARY DWG

Mobile Mark Communication Antennas

US OFFICE & HEADQUARTERS: 3900-B RIVER ROAD, SCHILLER PARK, IL 60176
TEL: (847) 671-6690 * FAX (847) 671-6715

UK OFFICE: 106 ANGLESEY BUSINESS PARK, HEDNESFORD, STAFFS.
WS12 1NR UK TEL: (+44) 1543-878434 FAX (+44) 1543-871714

VISIT OUR WEBSITE AT WWW.MOBILEMARK.COM

12/18/09