

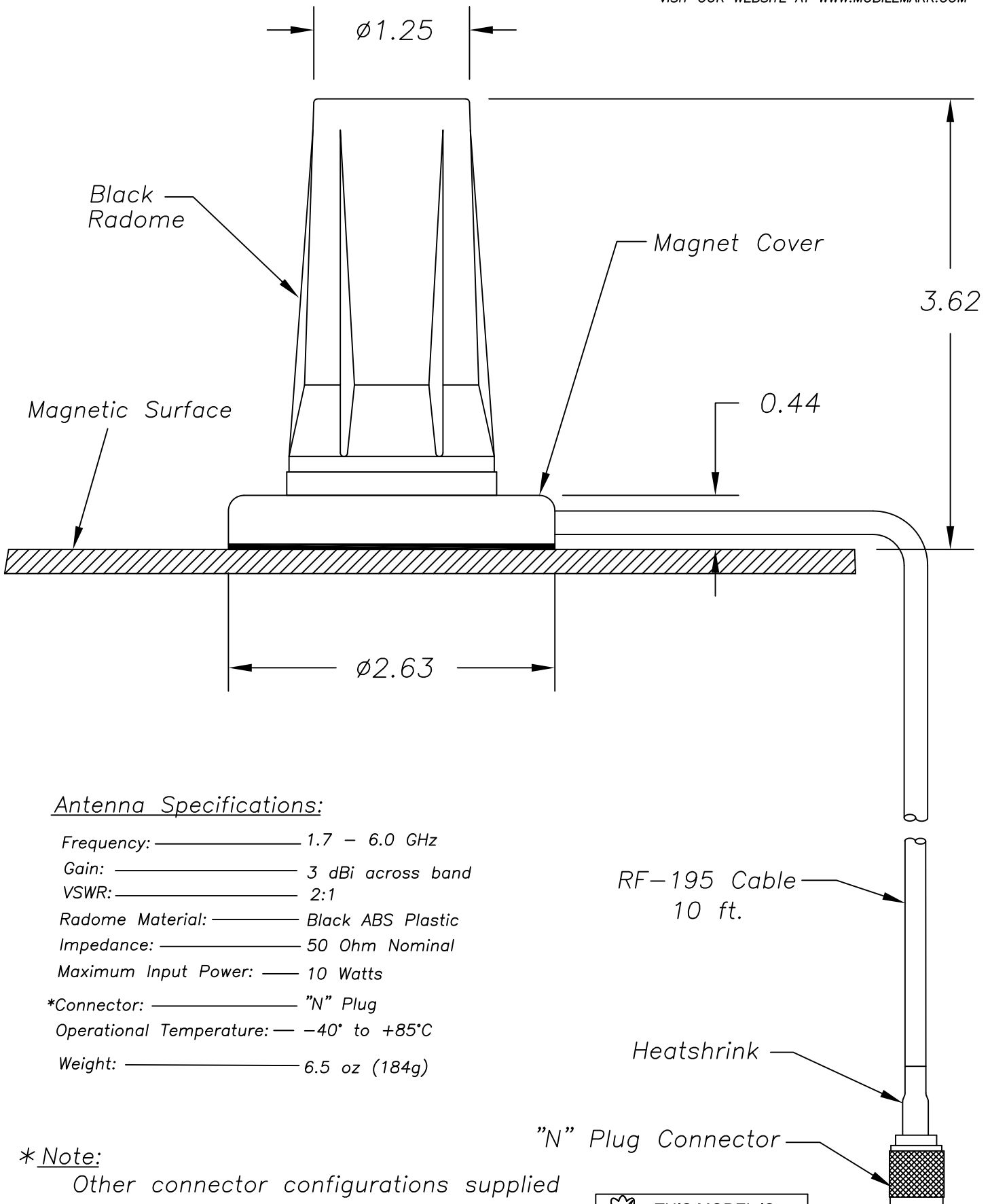
MGRM-WHF-3X

RMM Style Magnet Body Mt Antenna
Wide-Band High Frequency

1.7 - 6.0 GHz

MOBILE MARK[®]
COMMUNICATIONS ANTENNAS

3900-B RIVER ROAD, SCHILLER PARK, IL 60176
PHONE: (847) 671-6690 * FAX (847) 671-6715
VISIT OUR WEBSITE AT WWW.MOBILEMARK.COM



Antenna Specifications:

- Frequency: _____ 1.7 - 6.0 GHz
- Gain: _____ 3 dBi across band
- VSWR: _____ 2:1
- Radome Material: _____ Black ABS Plastic
- Impedance: _____ 50 Ohm Nominal
- Maximum Input Power: _____ 10 Watts
- *Connector: _____ "N" Plug
- Operational Temperature: _____ -40° to +85°C
- Weight: _____ 6.5 oz (184g)

* Note:

Other connector configurations supplied

2/12/10

