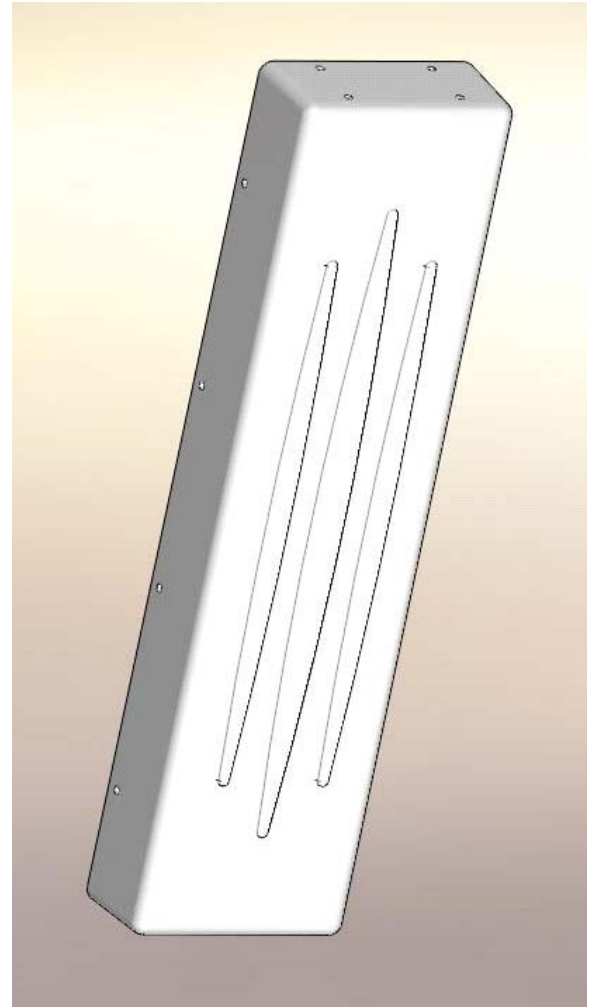
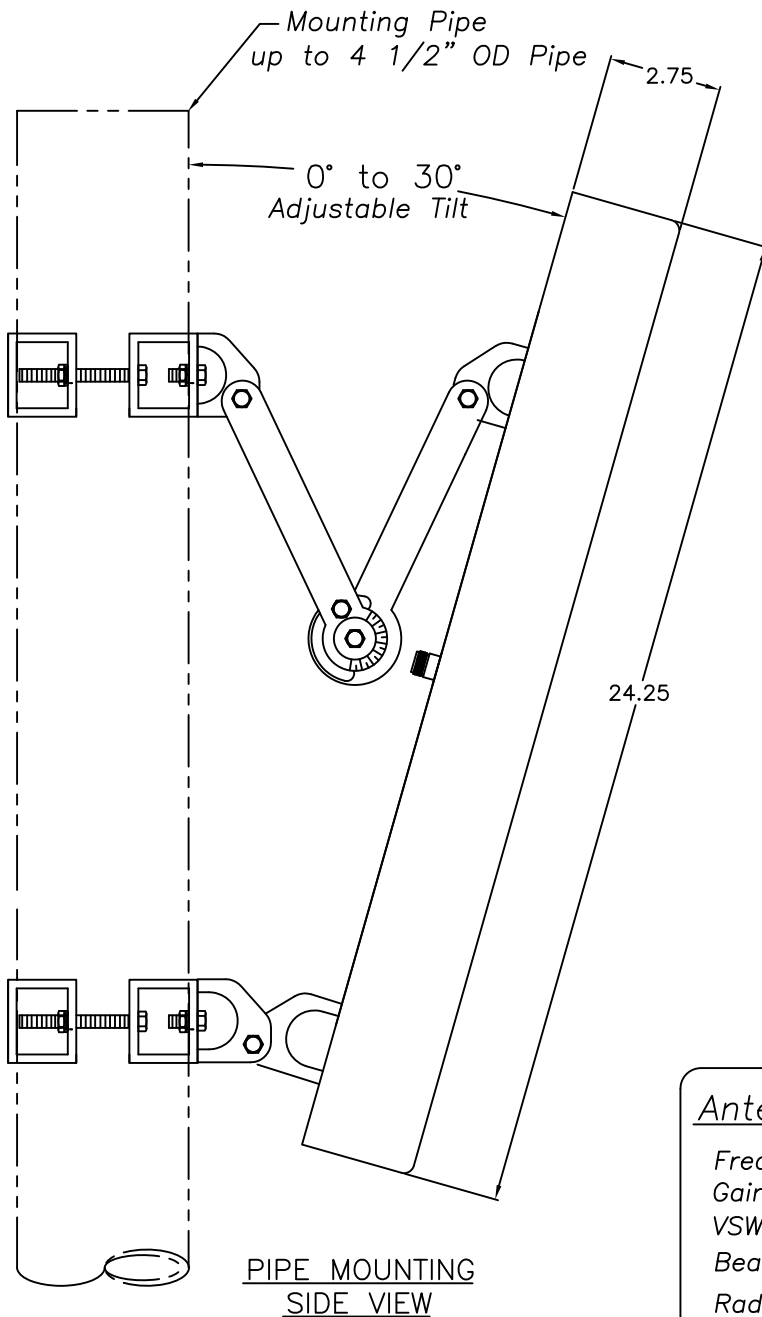
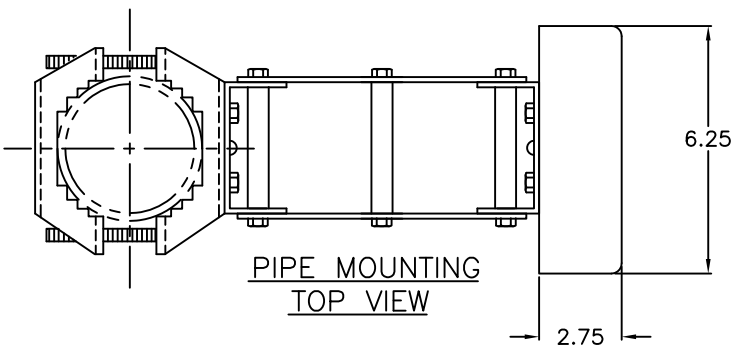


PN13-2600-120

Large WiMAX Sector Panel Antenna
with Adjustable Tilt, 13 dBi Gain
2500-2700 MHz, 120° Beamwidth



Antenna Specifications:

Frequency:	2500-2700 MHz
Gain:	13 dBi
VSWR:	2:1 Max
Beamwidth (-3 dB)	120 degrees
Radome Material:	White UV Stable Polystyrene Plastic
Nominal Impedance:	50 OHM Nominal
Maximum Power:	100 Watts
Connector:	"N" Female Termination
Lightening Protection:	External Recommended
Stainless Steel Mounting Kit	Mounts up to 4 1/2" OD Pipe
Tilt Range:	0° to 30°
Temperature:	-40C to +80C

Mobile Mark Communication Antennas

US OFFICE & HEADQUARTERS: 3900-B RIVER ROAD, SCHILLER PARK, IL 60176
TEL: (847) 671-6690 * FAX (847) 671-6715

UK OFFICE: 106 ANGLESEY BUSINESS PARK, HEDNESFORD, STAFFS.
WS12 1NR UK TEL: (+44) 1543-878434 FAX (+44) 1543-871714

VISIT OUR WEBSITE AT WWW.MOBILEMARK.COM

Specifications subject to change without notice

2/16/10