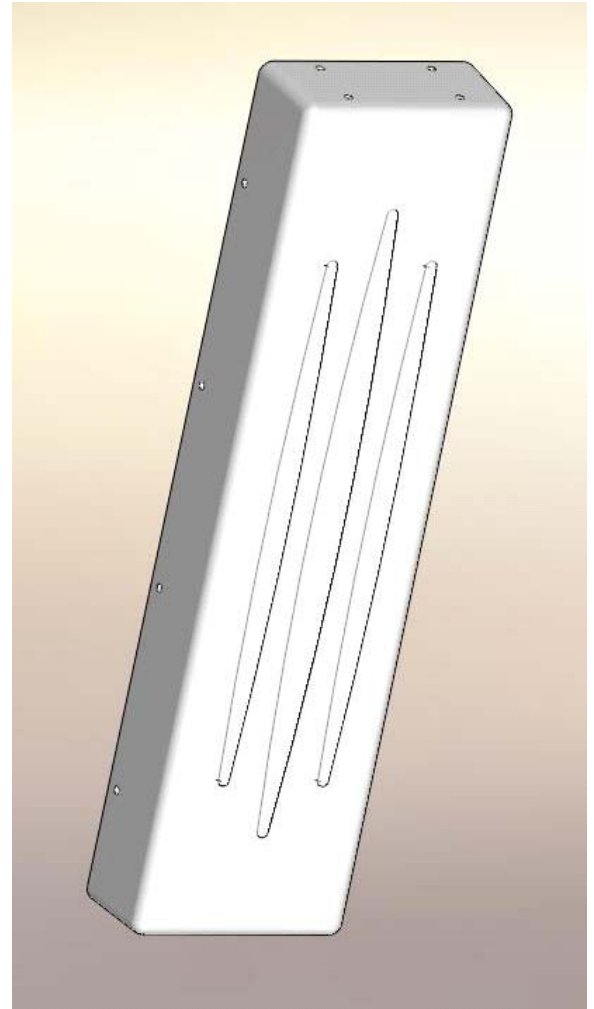
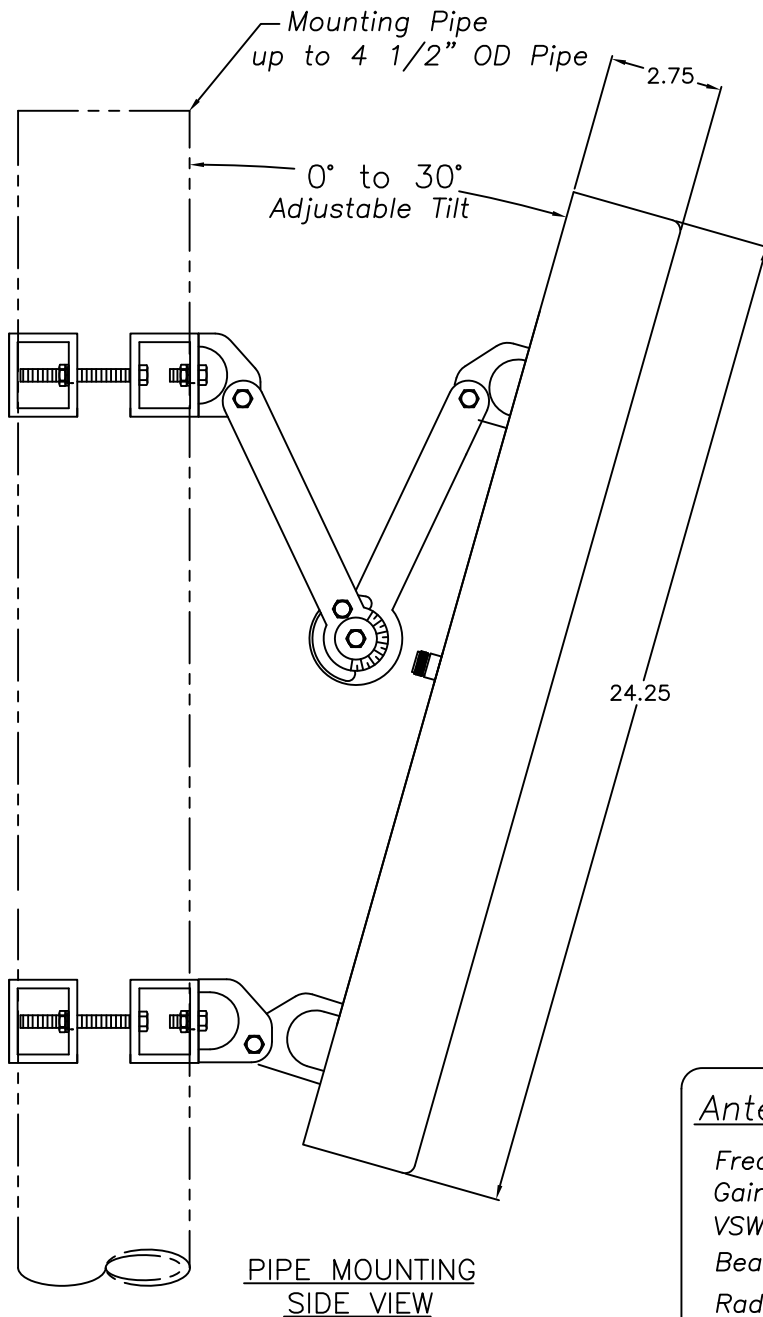
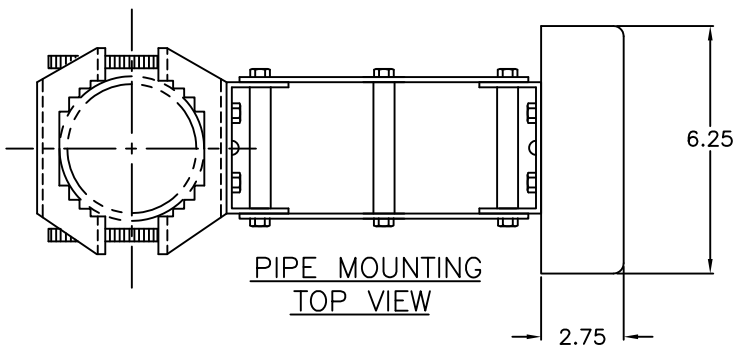


PN17-2600-45

Large WiMAX Sector Panel Antenna
with Adjustable Tilt, 17 dBi Gain
2500-2700 MHz, 45° Beamwidth



Antenna Specifications:

Frequency:	2500–2700 MHz
Gain:	17 dBi
VSWR:	2:1 Max
Beamwidth (–3 dB)	45 degrees
Radome Material:	White UV Stable Polystyrene Plastic
Nominal Impedance:	50 OHM Nominal
Maximum Power:	100 Watts
Connector:	“N” Female Termination
Lightening Protection:	External Recommended
Stainless Steel Mounting Kit	Mounts up to 4 1/2” OD Pipe
Tilt Range:	0° to 30°
Temperature:	–40C to +80C

Mobile Mark Communication Antennas

US OFFICE & HEADQUARTERS: 3900–B RIVER ROAD, SCHILLER PARK, IL 60176
TEL: (847) 671–6690 * FAX (847) 671–6715

UK OFFICE: 106 ANGLESEY BUSINESS PARK, HEDNESFORD, STAFFS.
WS12 1NR UK TEL: (+44) 1543–878434 FAX (+44) 1543–871714

VISIT OUR WEBSITE AT WWW.MOBILEMARK.COM

Specifications subject to change without notice

2/16/10