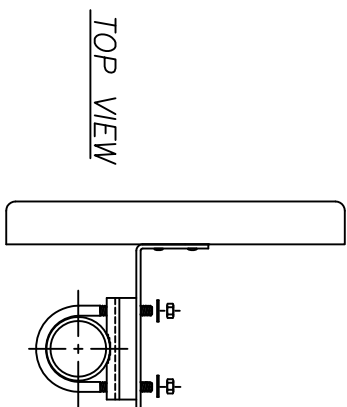


# PN9-700

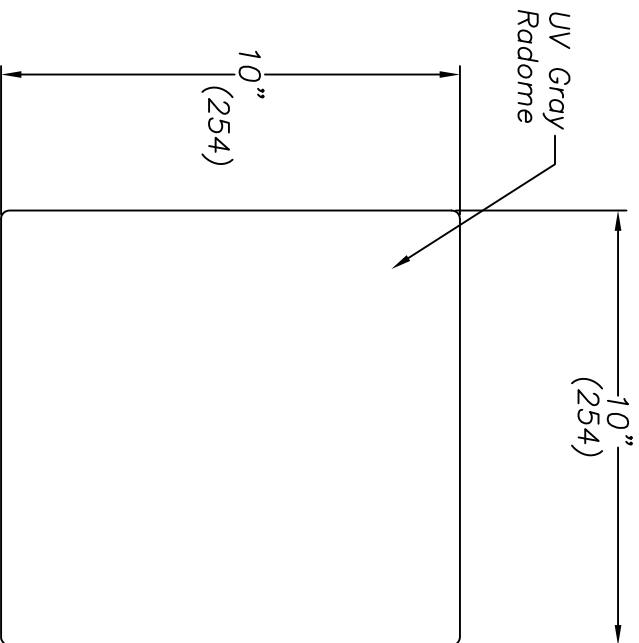
## Single Band Panel Antenna w/Pipe Mount 694-806 MHz, 9 dBi Gain

### Antenna Specifications:

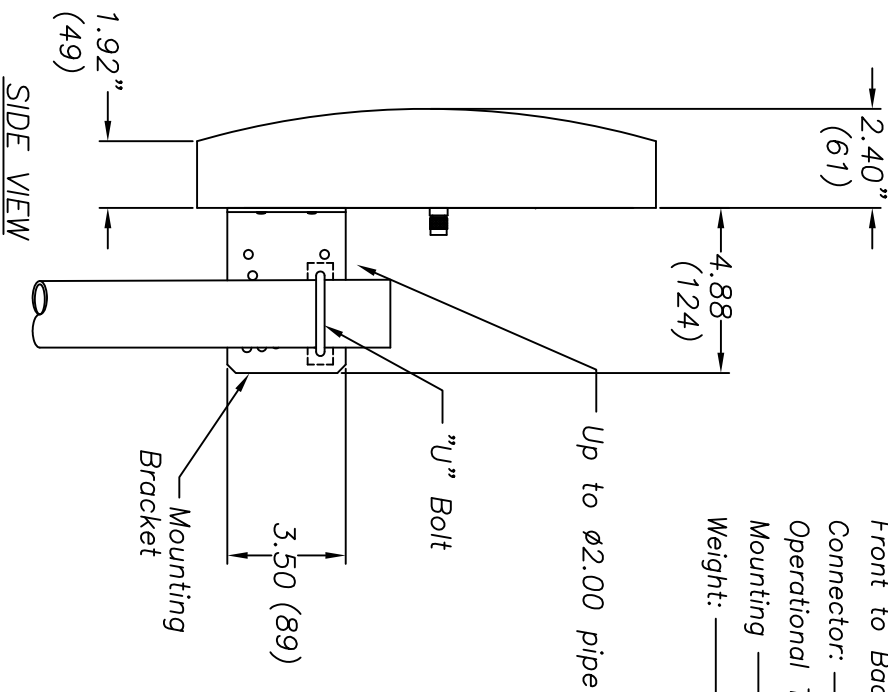
- Frequency: \_\_\_\_\_ 694-806 MHz
- Gain: \_\_\_\_\_ 9 dBi
- VSWR: \_\_\_\_\_ < 2:1
- Polarization: \_\_\_\_\_ Vertical
- Radome Material: \_\_\_\_\_ UV ABS Gray
- Impedance: \_\_\_\_\_ 50 Ohm Nominal
- Maximum Input Power: \_\_\_\_\_ 50 Watts
- Front to Back Ratio: \_\_\_\_\_ 15 dB
- Connector: \_\_\_\_\_ "TNC" Type Female
- Operational Temperature: \_\_\_\_\_ -30°C to +60°C
- Mounting: \_\_\_\_\_ Pipe Mounting
- Weight: \_\_\_\_\_ 2.2 lbs



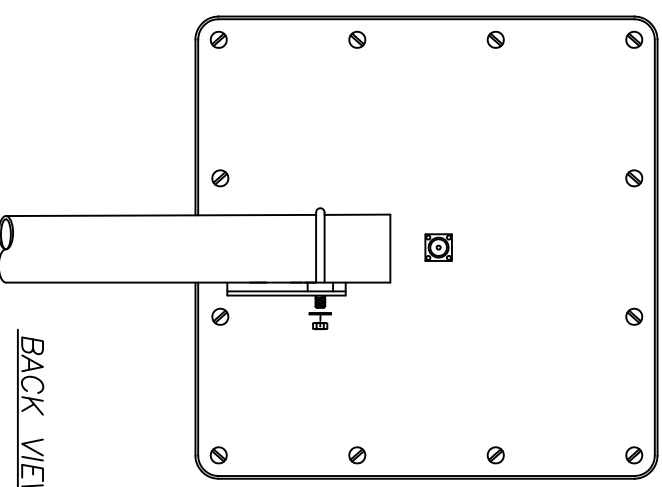
TOP VIEW



FRONT VIEW



SIDE VIEW



BACK VIEW