

Antenna Specifications:

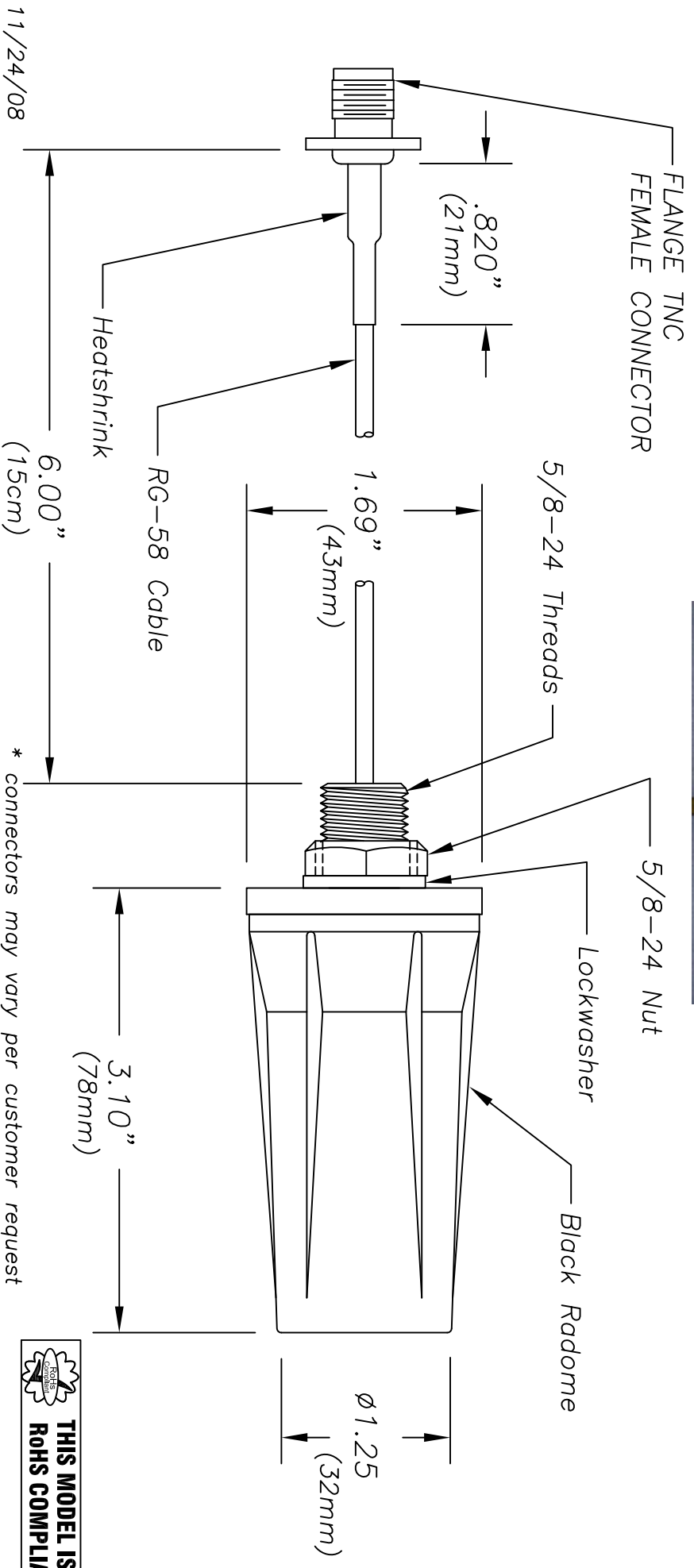
Frequency: _____ 1.7 - 6.0 GHz
 Gain: _____ 3 dBi across band
 VSWR: _____ 2:1
 Radome Material: _____ Black ABS Plastic
 Impedance: _____ 50 Ohm Nominal
 Maximum Input Power: _____ 10 Watts
 *Connector: _____ TNC Jack
 Operational Temperature: _____ -40° to +85°C
 Mounting: _____ 5/8" Dia. feed thru,
 1/2" lg thread
 for up to
 1/4" thk. metal
 Weight: _____ 6.5 oz (184g)



MOBILE MARK
 COMMUNICATIONS ANTENNAS
 3900-B RIVER ROAD, SCHILLER PARK, IL 60176
 PHONE: (847) 671-6690 * FAX (847) 671-6715
 VISIT OUR WEBSITE AT WWW.MOBILEMARK.COM

RM-WHF-XX

**Wide Band High Frequency
 Body Mount "Bus" Antenna
 1.7 - 6.0 GHz**



**THIS MODEL IS
 ROHS COMPLIANT**