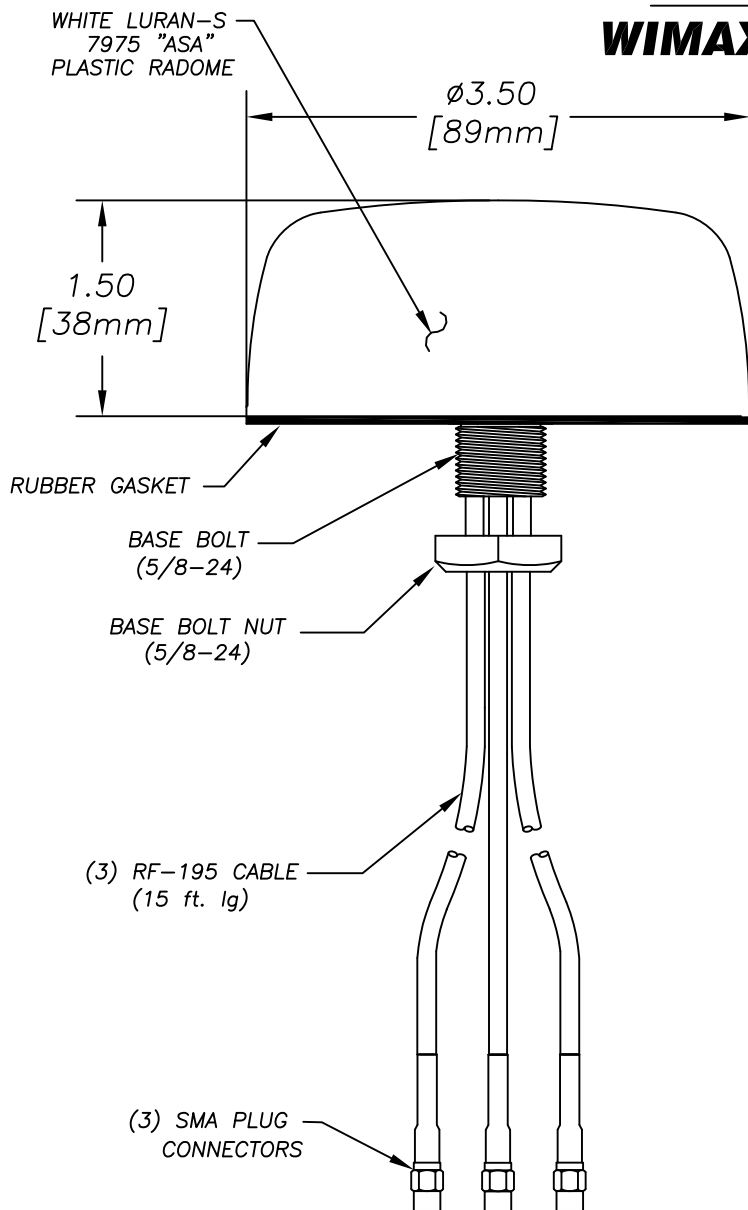


# SMD3-3500-3C3C3C

## WIMAX MIMO Low Profile Surface Mt. Three Feed Antenna 2.1-2.7 & 3.3-3.8 GHz



Metric Dimensions in Brackets [mm]



### Electrical Properties:

Frequency: 2.1-2.7 GHz  
3.3-3.8 GHz

Polarization: Vertical

Impedance: 50 Ohm nominal

Maximum Power: 20 Watts

Gain: 4 dBi

VSWR: Less than 2:1

Isolation between elements >20 dB

Cables: (3) RF-195, 15 ft

Connectors: (3) SMA Plug

Surface Mounting: up to 1/4" thk metal

Hardware: Nut and Gasket

### Mechanical Properties:

Base Diameter: 3.50" (89mm)

Height: 1.50" (38mm)

Weight: 1.0 lbs (.45 kg)

Radome Material: White "ASA"

### Environmental Properties:

Operating Temperature: -40C to +80C

Water Ingress Rating: IP X 7

Shock and Vibration EN61373:1999  
IEEE1478-2001  
MIL-STD-810G

1/19/10

**PRELIMINARY DWG**

## Mobile Mark Communication Antennas

US OFFICE & HEADQUARTERS: 3900-B RIVER ROAD, SCHILLER PARK, IL 60176  
 TEL: (847) 671-6690 \* FAX (847) 671-6715

UK OFFICE: 106 ANGLESEY BUSINESS PARK, HEDNESFORD, STAFFS.  
 WS12 1NR UK TEL: (+44) 1543-878434 FAX (+44) 1543-871714

VISIT OUR WEBSITE AT [WWW.MOBILEMARK.COM](http://WWW.MOBILEMARK.COM)